

# MEGApix® CaaS™ 4MP LPR IP camera

DWC-MB44LPRC6 - 64GB storage

DWC-MB44LPRC1 - 128GB storage

DWC-MB44LPRC2 - 256GB storage

DWC-MB44LPRC5 - 512GB storage

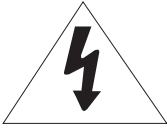
DWC-MB44LPRC1T - 1TB storage



## *User's Manual* Ver. 04/22

Before installing and using the camera, please read this manual carefully.  
Be sure to keep it handy for future reference.

# Safety Information



## CAUTION

RISK OF ELECTRIC SHOCK.  
DO NOT OPEN.



## CAUTION:

TO REDUCE THE RISK OF ELECTRIC SHOCK, DO NOT REMOVE COVER (OR BACK) NO USER SERVICEABLE PARTS INSIDE. REFER SERVICING TO QUALIFIED SERVICE PERSONNEL.



### Warning

This symbol indicates that dangerous voltage consisting a risk of electric shock is present within this unit.



### Precaution

This exclamation point symbol is intended to alert the user to the presence of important operating and maintenance (servicing) instructions in the literature accompanying the appliance.

## WARNING

To prevent damage which may result in fire or electric shock hazard, do not expose this appliance to rain or moisture.

## WARNING

1. Be sure to use only the standard adapter that is specified in the specification sheet. Using any other adapter could cause fire, electrical shock, or damage to the product
2. Incorrectly connecting the power supply or replacing battery may cause explosion, fire, electric shock, or damage to the product.
3. Do not connect multiple cameras to a single adapter. Exceeding the capacity may cause excessive heat generation or fire
4. Securely plug the power cord into the power receptacle. Insecure connection may cause fire
5. When installing the camera, fasten it securely and firmly. A falling camera may cause personal injury.
6. Do not place conductive objects (e.g. screw drivers, coins, metal items, etc.) or containers filled with water on top of the camera. Doing so may cause personal injury due to fire, electric shock, or falling objects.
7. Do not install the unit in humid, dusty, or sooty locations. Doing so may cause fire or electric shock
8. If any unusual smells or smoke come from the unit, stop using the product. Immediately disconnect the power source and contact the service center. Continued use in such a condition may cause fire or electric shock
9. If this product fails to operate normally, contact the nearest service center. Never disassemble or modify this product in any way.
10. When cleaning, do not spray water directly onto parts of the product. Doing so may cause fire or electric shock

## Precaution

### Operating

- Before using, make sure power supply and all other parts are properly connected.
- While operating, if any abnormal condition or malfunction is observed, stop using the camera immediately and contact your dealer.

### Handling

- Do not disassemble or tamper with parts inside the camera.
- Do not drop the camera or subject it to shock or vibration as this can damage the camera.
- Clean the clear dome cover with extra care. Scratches and dust can ruin the quality of the camera image.

### Installation and Storage

- Do not install the camera in areas of extreme temperature, exceeding the allowed range.
- Avoid installing in humid or dusty environments.
- Avoid installing in places where radiation is present.
- Avoid installing in places where there are strong magnetic fields and electric signals.
- Avoid installing in places where the camera would be subject to strong vibrations.
- Never expose the camera to rain or water.

# Important Safety Instructions

1. **Read these instructions.** - All safety and operating instructions should be read before installation or operation.
2. **Keep these instructions.** - The safety, operating and use instructions should be retained for future reference.
3. **Heed all warnings.** - All warnings on the product and in the operating instructions should be adhered to.
4. **Follow all instructions.** - All operating and use instructions should be followed.
5. **Do not use this device near water.** - For example: near a bath tub, wash bowl, kitchen sink, laundry tub, in a wet basement; near a swimming pool; etc.
6. **Clean only with dry cloth.** - Unplug this product from the wall outlet before cleaning. Do not use liquid cleaners.
7. **Do not block any ventilation openings. Install in accordance with the manufacturer's instructions.** - Slots and openings in the cabinet are provided for ventilation, to ensure reliable operation of the product, and to protect it from over-heating. The openings should never be blocked by placing the product on bed, sofa, rug or other similar surfaces. This product should not be placed in a built-in installation such as a bookcase or rack unless proper ventilation is provided and the manufacturer's instructions have been adhere to.
8. **Do not install near any heat sources such as radiators, heat registers, or other apparatus (including amplifiers) that produce heat.**
9. **Do not defeat the safety purpose of the polarized or grounding-type plug.** A polarized plug has two blades with one wider than the other. A grounding type plug has two blades and a third grounding prong. The wide blade or the third prong are provided for your safety. If the provided plug does not fit into your outlet, consult an electrician for replacement.
10. **Protect the power cord from being walked on or pinched particularly at plugs, convenience receptacles, and the point where they exit from the apparatus.**
11. **Only use attachments/accessories specified by the manufacturer.**
12. **Use only with cart, stand, tripod, bracket, or table specified by the manufacturer, or sold with the apparatus. When a cart is used, use caution when moving the cart/apparatus combination to avoid injury from tip-over.**
13. **Unplug the apparatus during lightning storms or when unused for long periods of time.**
14. **Refer all servicing to qualified service personnel. Servicing is required when the apparatus has been damaged in any way, such as power supply cord or plug is damaged, liquid has been spilled or objects have fallen into the apparatus, the apparatus has been exposed to rain or moisture, does not operate normally, or has been dropped.**



## Disposal of Old Appliances



1. When this crossed-out wheel bin symbol is attached to a product it means the product is covered by the European Directive 2002/96/EC.
2. All electrical and electronic products should be disposed of separately from the municipal waste stream in accordance to laws designated by the government or the local authorities.
3. The correct disposal of your old appliance will help prevent potential negative consequences for the environment and human health.
4. For more detailed information about disposal of your old appliance, please contact your city office, waste disposal service or the shop where you purchased the product.



This equipment has been tested and found to comply with the limits for a Class A digital device, pursuant to part 15 of the FCC Rules.

These limits are designed to provide reasonable protection against harmful interference when the equipment is operated in a commercial environment.

This equipment generates, uses, and can radiate radio frequency energy and, if not installed and used in accordance with the instruction manual, may cause harmful interference to radio communications. Operation of this equipment in a residential area is likely to cause harmful interference in which case the user will be required to correct the interference at his own expense.

# Index

---

## INTRODUCTION

- 02 Important Safety Information
- 03 Features
- 04 Product & Accessories
- 05 Part Name

## INSTALLTION

- 06 Installation
- 09 Cabling
- 11 Inserting / Removing an SD Memory Card

## NETWORK SETUP

- 12 DW IP Finder

## WEB VIEWER SCREEN

- 13 Basic Screen
- 14 Video & Audio Setup

## SETUP

- 22 Camera Setup
- 26 Network Setup
- 36 Trigger Action Setup
- 40 Events Setup
- 00 Record Setup
- 48 Security Setup
- 55 System Setup
- 64 Quick Start of Network Connection
- 65 DDNS Registration
- 66 Guide to Network Environment
- 66 Setup Case (A~D)
- 67 Port Forwarding
- 69 Current TCP/IP Settings
- 70 Starting IP Camera

## APPENDIX

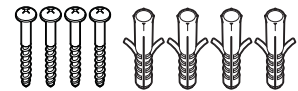
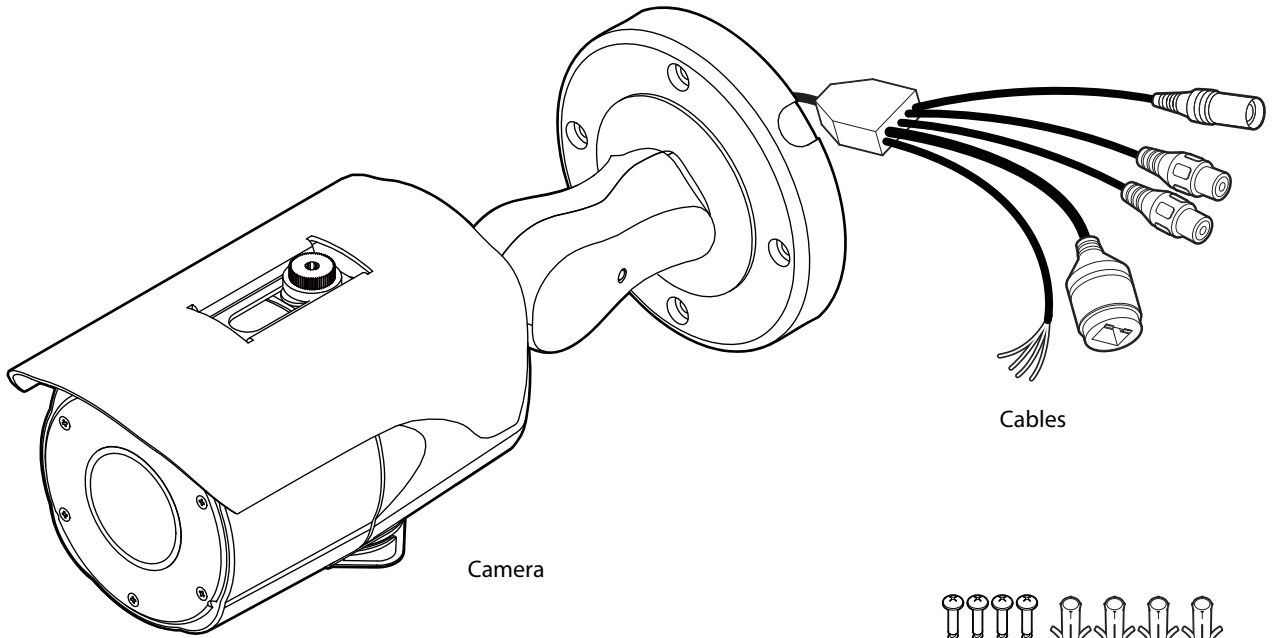
- 00 Changing IP Address and Subnet mask
- 71 FAQ

## SPECIFICATION

- 73 Dimensions
- 74 Warranty
- 75 Limits and Exclusions

# Introduction - Product & Accessories

✦ Please check if all the camera and accessories are included in the package.



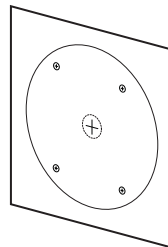
Screw & Plastic Anchor-4pcs



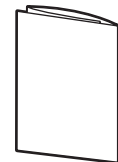
Torx Wrench



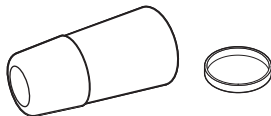
Test Video Cable



Template Sheet



Quick Manual



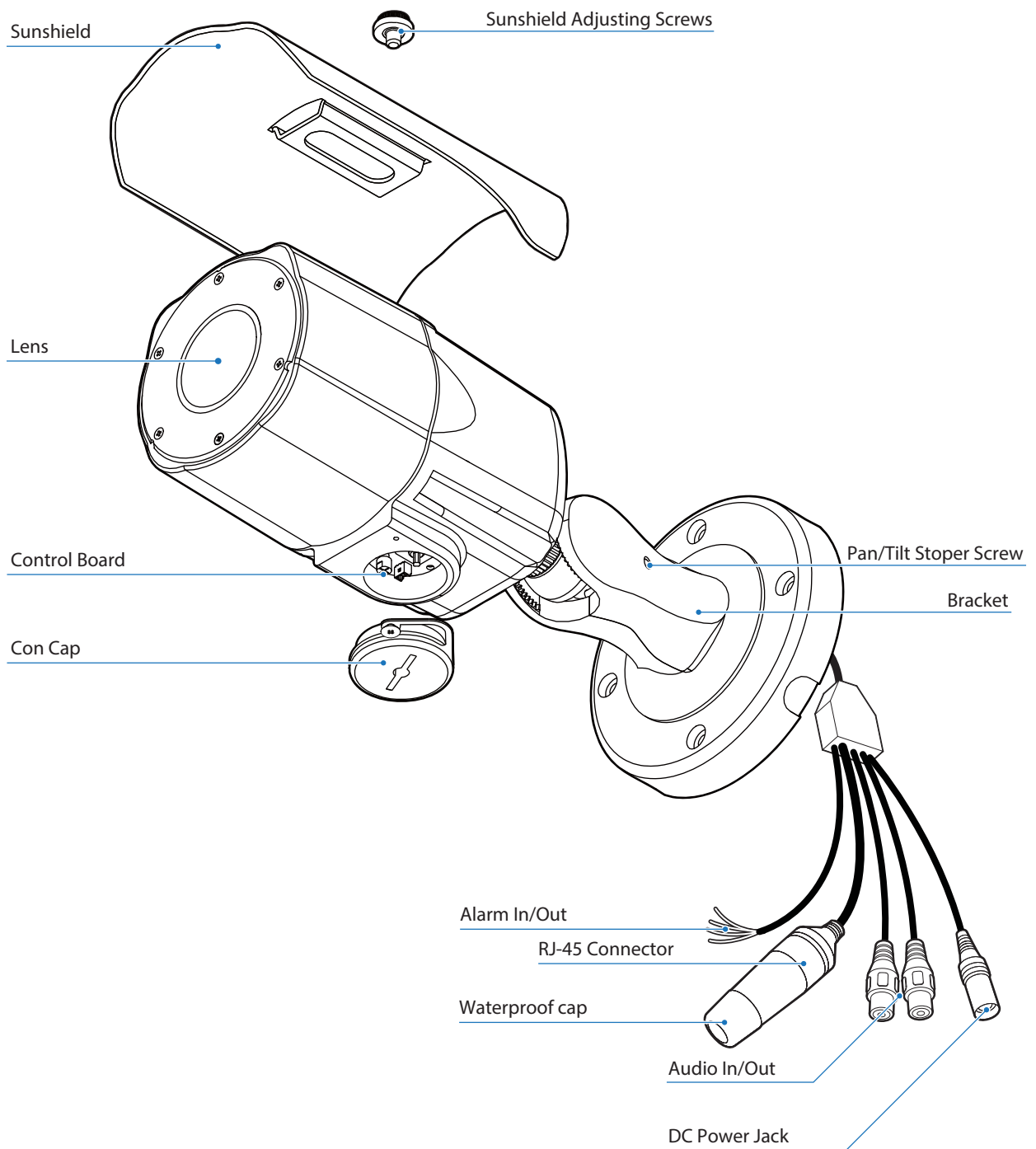
Waterproof cap & Gasket



DC Plug Cable

# Introduction - Part Name

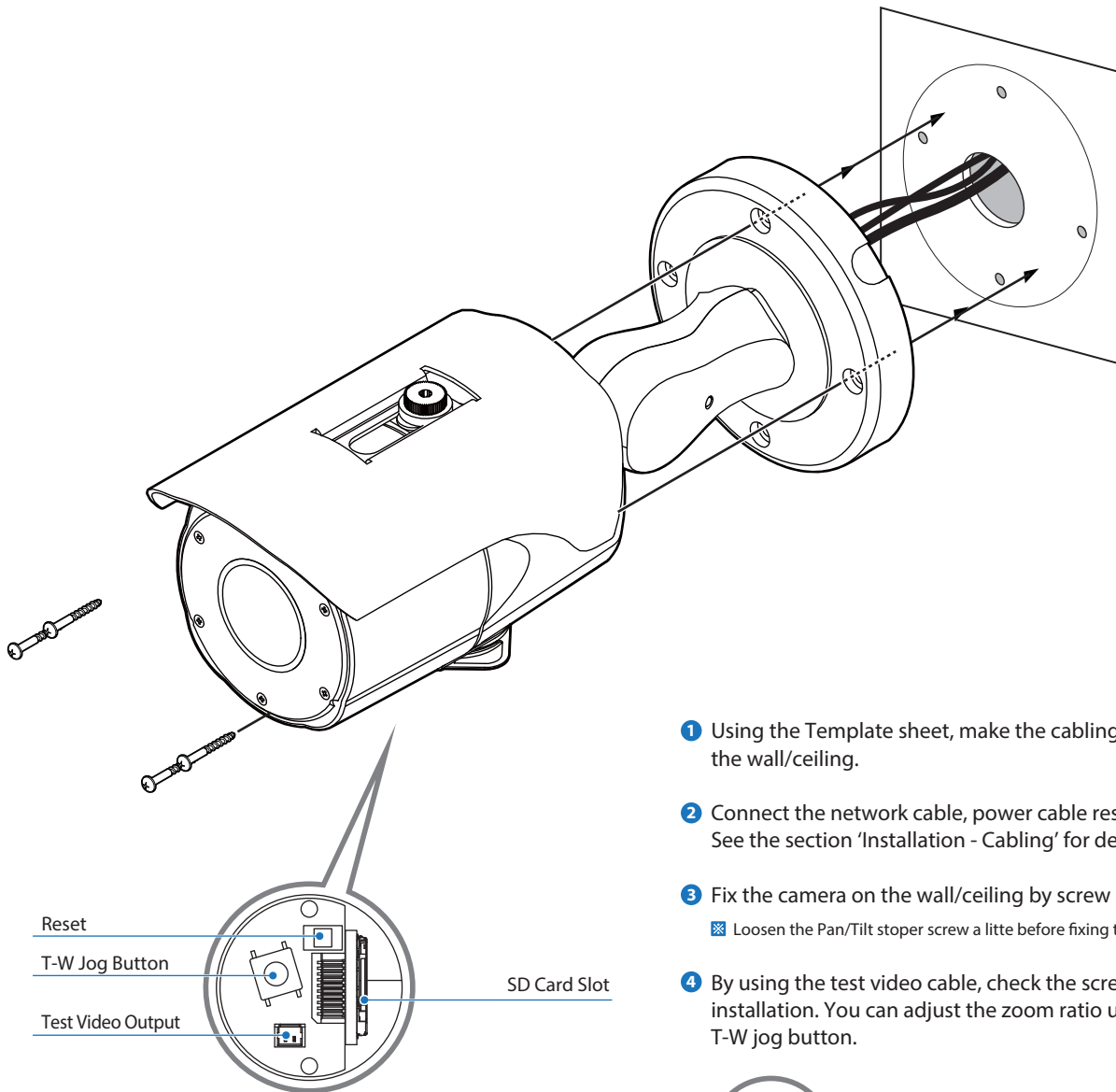
---



# Installation - Installation

Before installing your camera, you have to read the following cautions.

1. You have to check whether the location can bear five times of the weight of your camera.
2. Don't let the cable to be caught in improper place or the electric line cover to be damaged. Otherwise it may cause a breakdown or fire.
3. When installing your camera, don't allow any person to approach the installation site. If you have any valuable things under the place, move them away.



## ⊠ Reset to the Factory Default

Press the reset button for 5 seconds to return the setup to the factory default.

## ⊠ Warning

If you press the 'Reset' button, you will lose all setting data. If needed, please, make a note for further installation.

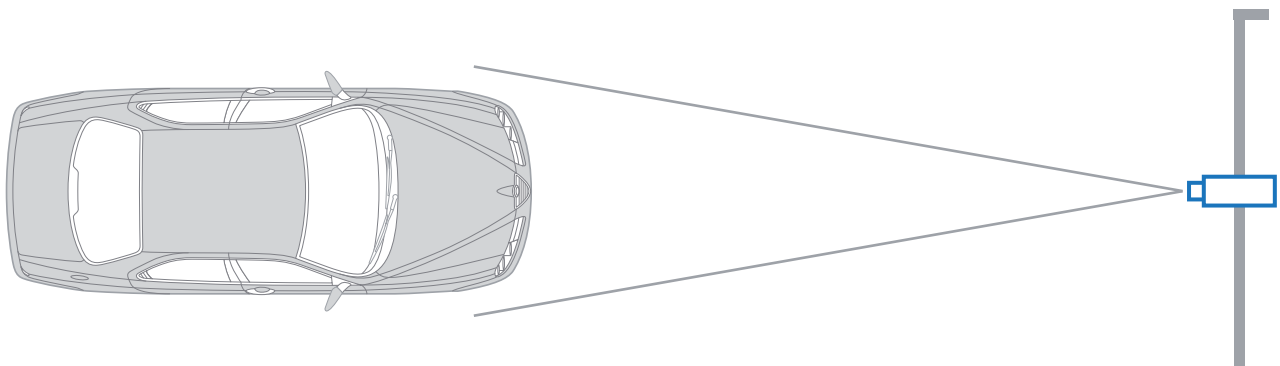
# Installation - Installation

---

An LPR camera is designed to read a license plate only. When a license plate passes by the camera, the reflective film on the plate will be reflected back to the camera which gives you the good clear shot of the plate. You will ONLY capture an image of the plate.

US license plates need to be at least 216 pixels wide. This translates roughly into an image no wider than 5-6 feet assuming 1440p standard definition video.

- 1 The horizontal angle between the camera and plate should be within 20° degrees. This means that if your camera is 10 feet away from the plate, the plate cannot be more than 3 feet to the right or left of the camera.
- 2 The vertical angle between the camera and plate is within 30° degrees. This means that if your camera is 10 feet away from the plate and the plate is 3 feet off the ground, the camera cannot be mounted more than 8 feet high.
- 3 Attempting to position the security camera at odd angles or exceeding the distance capabilities will result in a poor shot of the plate.
- 4 The DVR's recording fps should be at the highest to assure best capture quality.

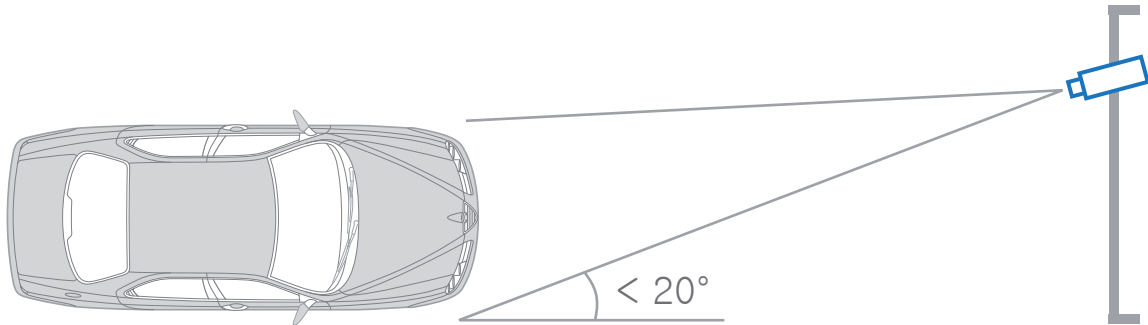


**THE CAMERA SHOULD BE MOUNTED AT AN ANGLE NO GREATER THAN 30 DEGREES**

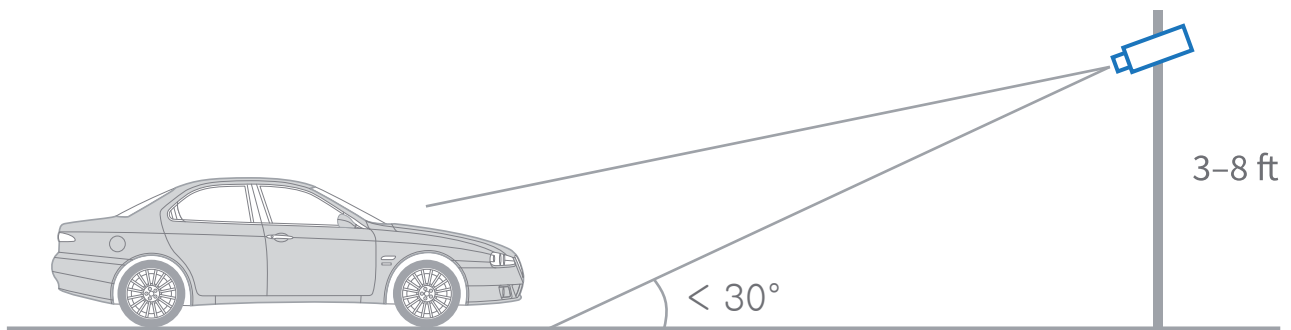


# Installation - Installation

---



**CAMERA ANGLE NO GREATER THAN 20 DEGREES FOR SIDE MOUNT INSTALLATIONS**



**THE CAMERA SHOULD BE MOUNTED AT AN ANGLE NO GREATER THAN 30 DEGREES**

# Installation - Cabling

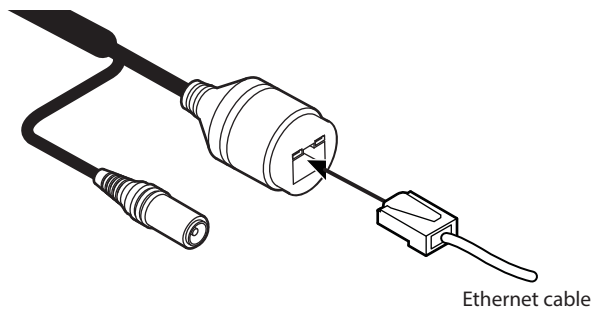
---

## Two Options

Use a PoE-enabled switch to connect data and power through a single cable and begin viewing and recording images instantly. A non-PoE switch will require an adaptor for power transmission.

### 1. Using a PoE Switch or PoE Injector

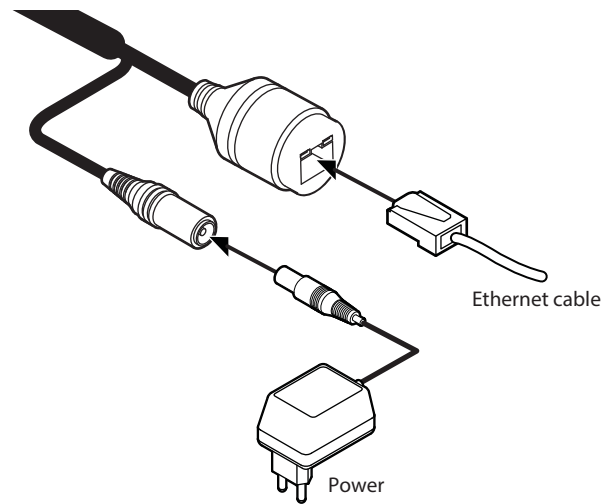
The Camera is PoE-compliant, allowing transmission of power and data via a single Ethernet cable. PoE eliminates the need for the different cables used to power, record, or control the camera. Follow the illustration below to connect the camera to a PoE-enabled switch using an Ethernet cable.



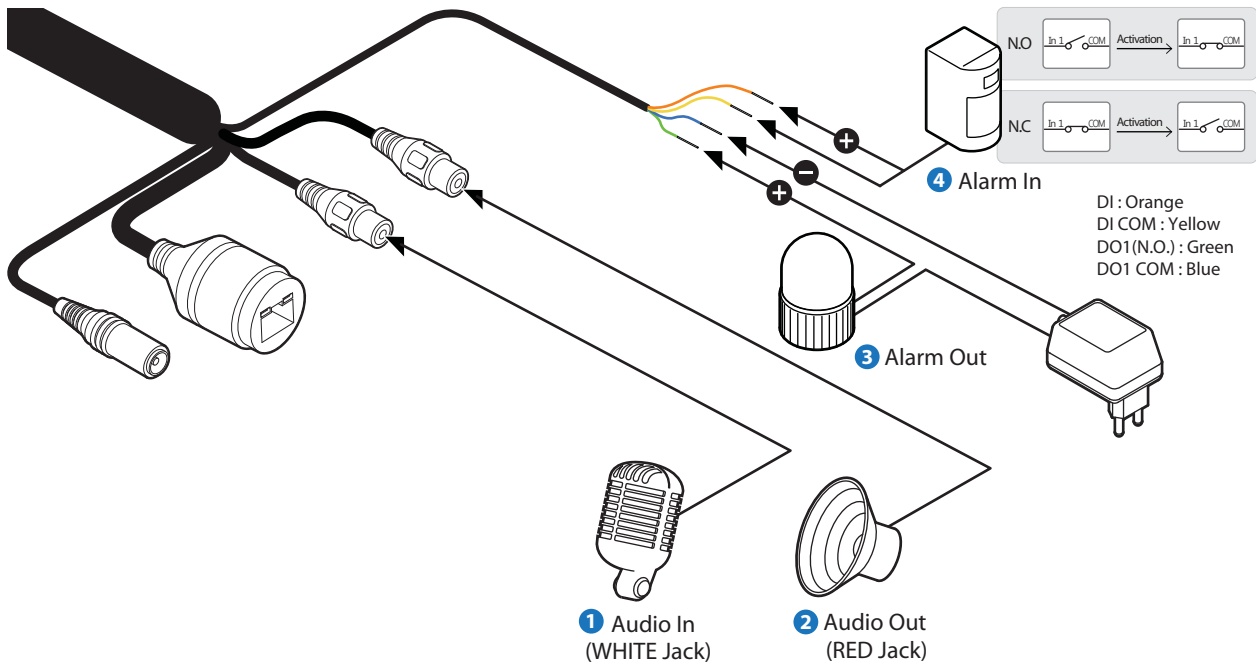
### 2. Not using PoE Switch or PoE Injector

If a PoE-enabled switch is not used, use a power adaptor for power transmission and non-PoE switch for data transmission.

Follow the illustrations below to connect the camera without a PoE-enabled Switch.



# Installation - Cabling



## 1 Audio In (White Jack)

Connect the 'Audio In' cable of the camera to the device like microphone.

## 2 Audio Out (Red Jack)

Connect the 'Audio Out' cable of the camera to device like speaker.

⊠ Audio Out supports only RTSP Back channel function. It plans to make it available on the web later.

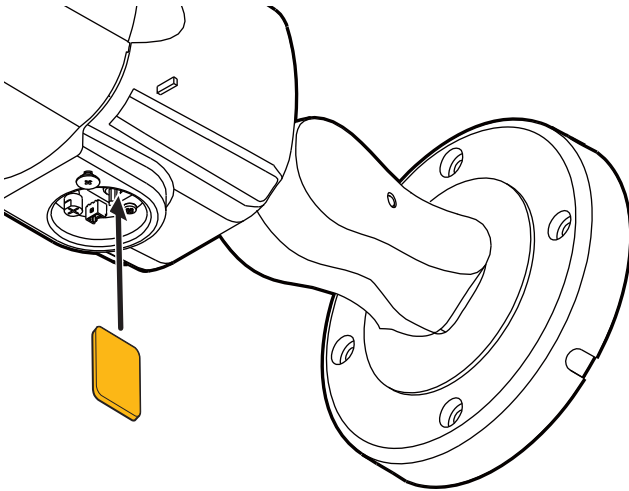
## 3 Alarm Out

It connects to the alarm lights, siren or lamps and the sensor types are normal open and normal close. Cable of the alarm output device should connect to DO1 (N.O.) and DO1 COM of the cable slot.

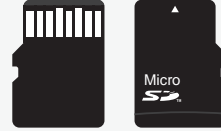
## 4 Alarm In

Cable of the sensor/alarm input device should connect to orange and yellow line of the Alarm cable.

# Installation - Inserting/Removing SD Memory Card



The memory card is an external data storage device that has been developed to offer an entirely new way to record and share video, audio, and text data using digital devices.



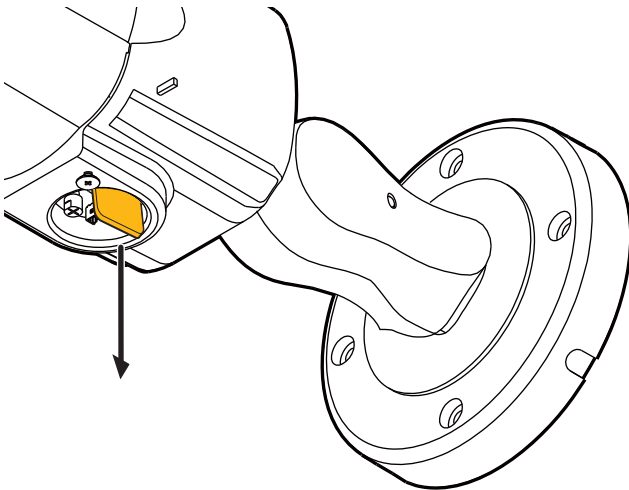
#### ⊠ Recommended SD Card Specification *(Not Included)*

- Type: Micro SD (SD/SDHC/SDXC)
- Manufacturer: Transcend, Kingston, Toshiba, SanDisk
- Capacity: 4GB~64GB
- Class: over UHS-I U3 Class 10

#### 1 Inserting an SD Memory Card

Insert the SD card in the arrow direction.

- ⊠ Don't insert the SD memory card while it's upside down by force. Otherwise, it may damage the SD memory card.
- ⊠ Use the tweezers when inserting or picking out the SD card.



#### 2 Removing an SD Memory Card

Removing an SD Memory Card Gently press down on the exposed end of the memory card as shown in the diagram to eject the memory card from the slot.

- ⊠ Pressing too hard on the SD memory card can cause the card to shoot out uncontrollably from the slot when released.
- ⊠ If you have saved data in the SD memory card, removing the SD memory card prior to setting record to OFF will cause damage to the data stored in the card.

# Network Setup - DW IP Finder™

The screenshot shows the DW IP Finder interface. On the left, there is a sidebar with controls: 'Thumbnail view', 'Select network to scan' (Local Area Connection [192.168.0.188]), 'Filter results' (All), 'Scan network' (Scan Devices), 'Show/hide thumbnail view' (Thumbnail), 'Refresh thumbnail view' (Refresh Thumbnail), 'Bulk IP assignment' (Bulk IP Assignment), 'Bulk password assignment' (Bulk Password Assignment), and 'Firmware upgrade' (FW Upgrade). At the bottom left, there is a 'Log In' button and a 'Log Out' button. The main area displays a table of discovered cameras with columns: Name, IP Address, Model, MAC Address, Netmask, Gateway, Port, DHCP, Version, Ping Test, IP Conf., and Uptime. Below the table, there are thumbnail images of cameras. On the right, there are annotations: 'Firmware version' points to the Version column, 'Camera's uptime' points to the Uptime column, 'Open IP configuration settings' points to the IP Conf. column, 'Ping camera' points to the Ping Test column, 'Camera's network information' points to the Netmask, Gateway, and Port columns, and 'Camera's name, IP and MAC addresses' points to the Name, IP Address, and MAC Address columns.

- 1 To install the DW IP Finder, go to: <http://www.digital-watchdog.com>
- 2 Enter "DW IP Finder" on the search box at the top of the page.
- 3 Go to the "Software" tab on the DW IP Finder page to download the installation file.
- 4 Follow the installation to install the DW IP Finder. Open the DW IP Finder and click 'Scan Devices'. It will scan the selected network for all supported devices and list the results in the table. During the scan, the DW® logo will turn gray.
- 5 When connecting to the camera for the first time, a password must be set. To set up a password for your camera:

- a. Check the box next to the camera in the IP Finder's search results. You can select multiple cameras.
- b. Click "Bulk Password Assign" on the left.
- c. Enter admin/admin for the current username and password. Enter a new username and password to the right.

The screenshot shows the 'Bulk Password Assignment' dialog box. It has two sections: 'Current Account' and 'New Password'. The 'Current Account' section has fields for Username (admin) and Password (admin). The 'New Password' section has fields for New, Confirm, and Hint. There is a 'Change' button. Below these sections is a table with columns: Name, MAC Address, IP Address, and Note. The table contains one entry: DW-C-M2W4T 00:0D:F1:21:66:92 192.168.10.159.

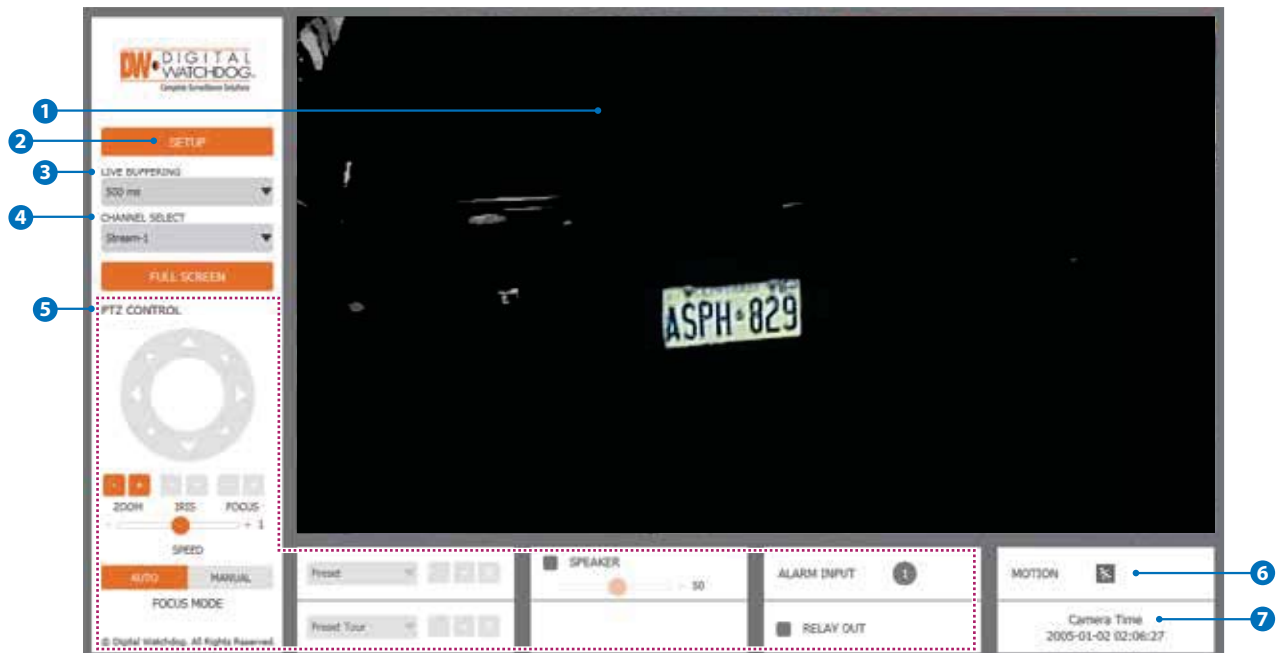
Passwords must have a minimum of 8 characters with at least 4 combinations of uppercase letters, lowercase letters, numbers and special characters. Passwords cannot contain the user ID.

- d. Click "change" to apply all changes.

- 6 Select a camera from the list by double-clicking on the camera's image or clicking on the 'Click' button under the IP Conf. column. The pop-up window will show the camera's current network settings, allowing admin users to adjust the settings as needed.
- 7 To access the camera's web page, click on the 'View Camera Website' from the IP Config window.
- 8 To save changes made to the camera's setting, enter the username and password of the camera's admin account and click 'Apply'.

The screenshot shows the 'DW Camera Settings' dialog box. It has fields for Camera Name (DWC-MD421TIR) and MAC Address (00:0D:F1:20:A4:9E). Under 'IP Configuration Mode', there are radio buttons for DHCP (selected) and Static IP. Below this are fields for IP Address (192.168.1.101), Netmask (255.255.255.0), Gateway (192.168.1.1), and DNS (192.168.40.1). There is a 'Ports' section with fields for Web Port (80), Control Port (0), Video Port (0), Audio Transmit (0), and Audio Receive (0). At the bottom, there are fields for Username (admin) and Password (masked with dots). There are buttons for 'Restore default camera configuration', 'View Camera Website', 'Apply', 'Reboot', and 'Cancel'.

# Web Viewer Screen - Basic Screen



※ Web viewer is optimized with explorer10 or above version and Firefox.

※ If VLC is not installed or VLC plugin is not supported (Chrome), Live buffering and Channel select menu on 3, 4 will be changed to Live Viewer menu, and then if HTML5(MJPEG) is selected on Live Viewer menu, then you can check the video.

- 1 Live video display. This is the region for live video stream from the camera.
- 2 Setup popup button. Click it to open the Setup page to setup details of IP camera like Video, Network, Events, System and etc. See the section 'Setup'.
- 3 When the image goes unsmoothly because of bad network connection, it stored image during setup time and shows the image on the live view screen.
  - ※ User will see the delayed images as much as setup time.
- 4 Channel Select button. Select a stream produced from the camera between Stream 1 ~ 3 to display it in the live view screen.
  - ※ Refer the 'Setup -> Video & Audio -> Video' to setup the Video Stream.

5 Below "Menu" is supported in accordance with models.

#### PTZ Control

This camera model supports the zoom and focus.

#### Preset

Does not support.

#### Speaker Control

Enable/Disable Audio stream received from the camera and Volume control of the speaker in the Computer.

#### Alarm Input

If the alarm is triggered, the color of corresponding input number will be changed to bright red from dark gray.

#### Relay Out

Using these Checkbox, you can read status of Relay Out and also set or reset it manually.

6 Motion

It shows the Motion event status.

※ Event Alert Icon (🚨) appears if 'Motion Detection' is activated.

7 Camera Time

Display the camera time.

# Setup - Video & Audio Setup

## Video Configuration

**1** Detail Page

**2** Setup Constitution

**VIDEO & AUDIO**

**VIDEO**

OSD

ROI

AUDIO

PRIVACY MASK

> CAMERA

> NETWORK

> TRIGGER ACTION

> EVENTS

> RECORD

> SECURITY

> SYSTEM

**VIDEO CONFIGURATION**

| Stream | Codec  | Description |
|--------|--------|-------------|
| 1      | H.264  | channel1    |
| 2      | H.264  | channel2    |
| 3      | M-JPEG | channel3    |

**Codec**

Codec: H.264

Description: channel1

Resolution: 2560x1440

Frame Rate(FPS): 30

GOP: 30 [ 1 ~ 120 ]

Profile: High

Smart Bitrate Control: Off

Bitrate Mode: CBR

Target Bitrate: 5120 [ 100Kbps ~ 10Mbps ]

Extension Option: Off

Quality: 5 [ 1 ~ 10 ]

APPLY

© Digital Watchdog. All Rights Reserved.

### 1 Detail Page

When you select an item from the menu, you can set the details for the selected item.

### 2 Setup Constitution

#### Video&Audio

[ VIDEO, OSD, ROI, AUDIO, PRIVACY MASK ]

#### Camera

[ IMAGE ADJUSTMENT, EXPOSURE, IMAGE, VIDEO ]

#### Network

[ STATUS, NETWORK SETTING, AUTO IP, ONVIF, UPNP, DDNS, FTP, SMTP, SNMP, RTSP INFORMATION ]

#### Trigger Action

[ ACTION RULES, IMAGE TRANSFER, RELAY OUT ]

#### Events

[ EVENT RULES, MOTION, TEMPERATURE, ALARM INPUT ]

#### Record

[ MANAGEMENT, RECORD LIST, STORAGE ]

#### Security

[ IP ADDRESS FILTER, RTSP AUTHENTICATION, IEEE 802.1x, HTTPS, CERTIFICATES, SERVICE ]

#### System

[ INFORMATION, FIRMWARE UPDATE, DATE&TIME , DST , USER MANAGEMENT, LOG, FACTORY RESET, RESTART ]

# Setup - Video & Audio Setup

## Video Configuration

**VIDEO CONFIGURATION**

| Stream | Codec  | Description |
|--------|--------|-------------|
| 1      | H.264  | channel1    |
| 2      | H.264  | channel2    |
| 3      | M-JPEG | channel3    |

**Codec**

Codec: H.264

Description: channel1

Resolution: 2560x1440

Frame Rate(FPS): 30

GOP: 30 [ 1 ~ 120 ]

Profile: High

Smart Bitrate Control: Off

Bitrate Mode: CBR

Target Bitrate: 5120 [ 100Kbps ~ 10Mbps ]

Extension Option: Off

Quality: 5 [ 1 ~ 10 ]

**APPLY**

### 1 Live Video Channel Setup

The video can be configured to variety settings with a combination of codec and resolution. The camera performance has to be considered when setting multiple channels. This effects on the performance of the camera.

### 2 Codec

Choose the video codec. According to the selected codec, the subcategories can be changed automatically. When MJPEG codec is selected, it will be able to set whether to use the relevant channel for image transfer.

### 3 Description

Input the additional description about the selected channel. Max. 30 alphabets are allowed(Including space). For the description, English Alphabets, numbers and special characters ( - \_ @ . ) can be used.

### 4 Resolution

Select the video resolution.

Available resolution can be depends on the codec setup between the channels.

|                | NTSC                   | PAL                    |
|----------------|------------------------|------------------------|
| <b>4M</b>      | 2560 x 1440            | 2560 x 1440            |
| <b>3M</b>      | 2304 x 1296            | 2304 x 1296            |
| <b>1080p/i</b> | 1920 x 1080            | 1920 x 1080            |
| <b>720p/i</b>  | 1280 x 720             | 1280 x 720             |
| <b>SVGA</b>    | 800 x 600              | 800 x 600              |
| <b>VGA</b>     | 640 x 480              | 640 x 480              |
| <b>4CIF</b>    | 704 x 576<br>704 x 480 | 704 x 576<br>704 x 480 |
| <b>CIF</b>     | 352 x 288<br>352 x 240 | 352 x 288<br>352 x 240 |

<Resolution of Video Format>

### 5 Frame Rate

Select the maximum Frame Rate.

Available Frame Rate can be different although same codecs were set up.



# Setup - Video & Audio Setup

## Video Configuration

### VIDEO CONFIGURATION

| Stream | Codec  | Description |
|--------|--------|-------------|
| ● 1    | H.264  | channel1    |
| ● 2    | H.264  | channel2    |
| ● 3    | M-JPEG | channel3    |

#### Codec

Codec:

Description:

Resolution:

Frame Rate(FPS):

GOP:  [ 1 ~ 120 ]

Profile:

Smart Bitrate Control:

Bitrate Mode:

Target Bitrate:  [ 100Kbps ~ 10Mbps ]

Extension Option:

Quality:  [ 1 ~ 10 ]

### 6 GOP(Group of Pictures) Size

Set up the number of frames (P-frame) which contain only changed information based on basic frame (I-frame). Regarding videos with lots of movement, if you set GOP size bigger, only the number of P-frames is bigger. As a result, video resolution will be low but 'File size' and 'Bit-rate can be decreased.

#### ※ GOP(Group of Pictures) Size is..

I-frame and P-frame can be created for MPEG4 and H.264 video compression. I-frame(=key-frame) means the whole image data for one specific scene of video. P-frame is image data which has been changed information compared to I-frame GOP is made up of one I-frame and corresponding several P-frames. To improve video quality, set the number of P-frames smaller and to decrease image size, set the number of P-frames bigger.

### 7 Profile

The profile defines the subset of bit stream features in an H.264 stream, including color reproduction and additional video compression.

#### Baseline

A simple profile with a low compression ratio.

#### Main

An intermediate profile with a medium compression ratio.

#### High

A complex profile with a high compression ratio.

### 8 Smart Bitrate Control

#### Off

Does not use the Smart Bitrate Control.

#### CVBR (Framerate priority)

This Mode is for cameras which do not want absolute any frame drop, but still want to get lower bitrate. It has limitation when the Target bitrate is set to be very low, but actual motion is big or scene is very noisy.

#### CVBR (Quality priority)

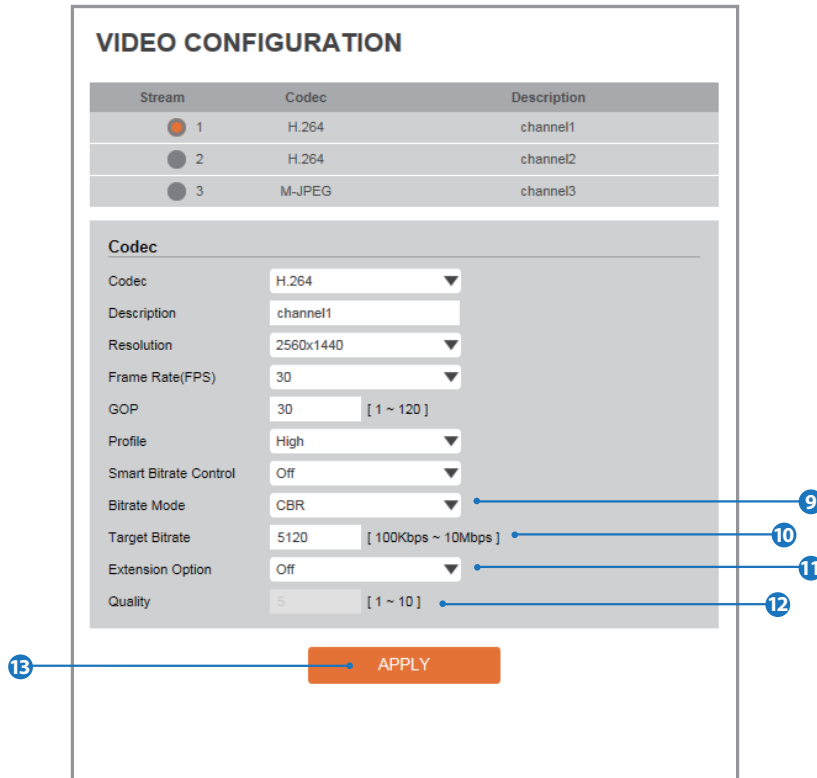
When the Target bitrate is set to very low, and motion is big, then LBR will try to drop frames, and make the final fps to be lower, so that it can save its and make the output frames to have better quality.

#### CBR

This Mode is a CBR alike mode which is close to traditional security IPCAM, and it's not designed for LBR, It's provided as an option in LBR library just to help comparison.

# Setup - Video & Audio Setup

## Video Configuration



### 9 Bitrate Mode

Select the bit rate control scheme of video compression from CBR (Constant Bit Rate) or VBR (Variable Bit Rate).

#### CBR

To guarantee the designated constant bit rate, the quality of video are controlled in this mode. Therefore, the quality of video is likely to be varying when network traffic is changing.

#### VBR

To guarantee the designated quality, the bit rate of video stream is changed in this mode. Therefore, the frame rate of video is likely to be varying when network traffic is changing.

☒ This category won't be appear if you select the codec.

### 10 Target Bitrate

If Bitrate Control is set to be CBR, you can set the Target Bitrate.

### 11 Extension Option

#### OFF

Does not use the extension option.

#### SVC-T On

Scalable video coding is a type of video encoding algorithm that can be applied to streaming , so that , they could be transmitted over lossy, low bandwidth networks effectively.

### 12 Quality

For VBR control mode, The Target Quality of video can be setup.

13 Click 'Apply' to make above setting effective.

# Setup - Video & Audio Setup

## OSD Configuration

---

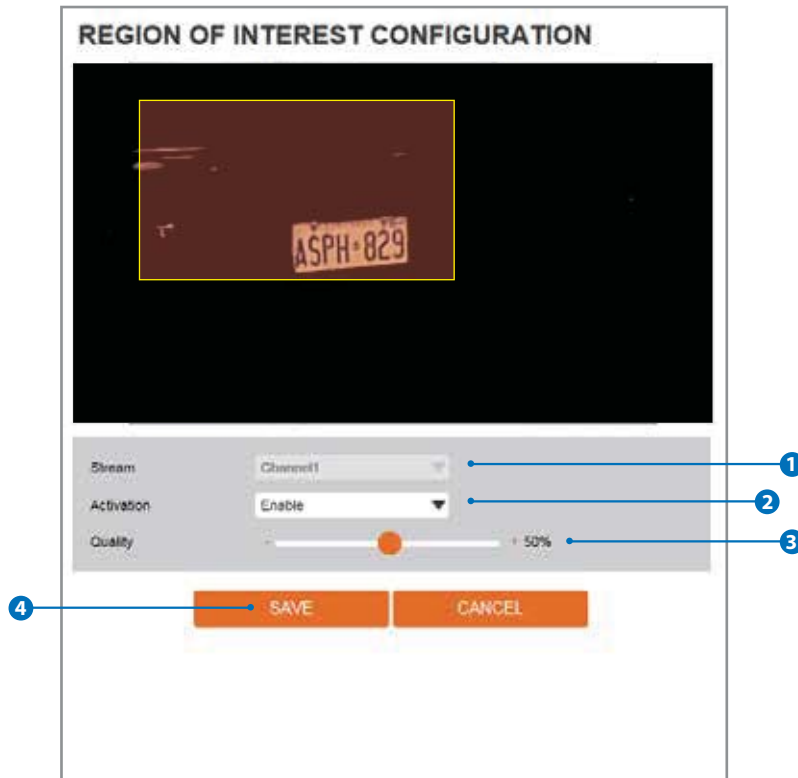
The screenshot shows the 'ON SCREEN DISPLAY(OSD) CONFIGURATION' window. It is divided into two main sections: 'Date & Time' and 'User Text'. Each section has a radio button for 'Off' (selected) and 'On'. Below these are input fields for 'Position X' and 'Position Y', both with a range of '[ 0 ~ 100 ]'. The 'User Text' section also includes a 'Text' input field. At the bottom center is an orange 'APPLY' button. Three blue callout lines with circular numbers 1, 2, and 3 point to the 'Date & Time' section, the 'User Text' section, and the 'APPLY' button, respectively.

- 1 Date/Time**  
Display the current time.
- 2 User Text**  
Output the TEXT entered by the user.  
Support a maximum of 30 characters.
- 3** Click 'Apply' to make above setting effective.

# Setup - Video & Audio Setup

## Region of Interest Configuration

---



Region of interest function gives much more efficiency picture quality for indicated area to improve picture qualities of movement scene at the same bandwidth.

**1 Stream**

Select the Stream.

☒ Currently it supports only Channel1.

**2 Activation**

The Region of interest can be enable or disable.

**3 Quality**

Set the quality of the set area.

**4 Click 'Save' to save the current settings.**

☒ Click 'Cancel' to return to the previous setting.

# Setup - Video & Audio Setup

## Audio Configuration

---

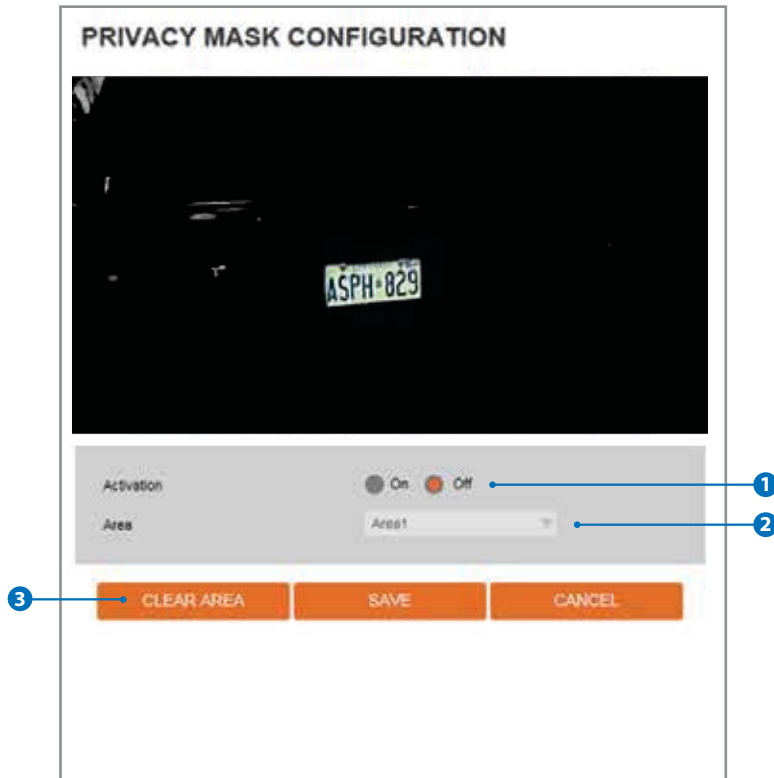
The screenshot shows the 'AUDIO CONFIGURATION' window. It contains a section titled 'Audio Encode' with three settings: 'Codec' set to 'G.711 ulaw', 'Volume' set to '5', and 'Sample Rate' set to '8,000 Hz'. Below these settings is an orange 'SAVE' button. Four blue callout lines with numbered circles (1, 2, 3, 4) point to the Codec dropdown, the Volume dropdown, the Sample Rate dropdown, and the SAVE button, respectively.

- 1 Codec**  
Select the Audio Codec.  
☒ Currently it supports only codec G.711.
- 2 Volume**  
Select the Audio Volume from 0 to 10.
- 3 Sample Rate**  
Select the Audio Sample Rate.  
☒ Currently it supports only 8000 Hz.
- 4** Click 'Apply' to make above setting effective.

# Setup - Video & Audio Setup

## Privacy Mask Configuration

---



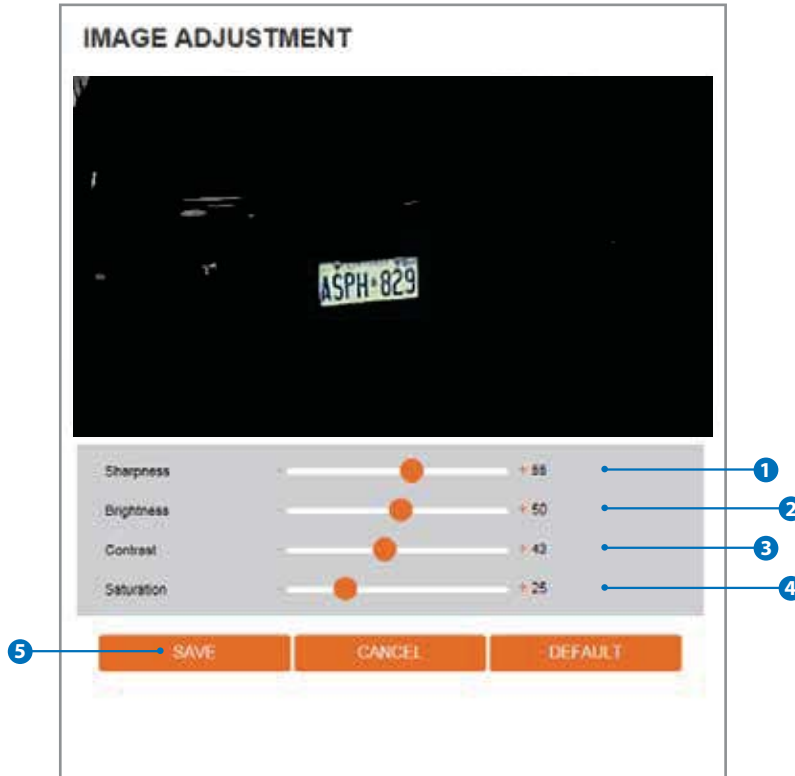
Use this function to mask areas that you want to hide on screen to protect privacy.

- 1 Activation**  
The Privacy mask function can be enable or disable.
- 2 Area**  
Select the Area1 ~ Area4 and Set the privacy area.
- 3 Click 'Save' to save the current settings.**
  - ☒ Click 'Cancel' to return to the previous setting.
  - ☒ Click 'Clear Area' to delete the selected Area1~Area4.

# Setup - Camera Setup

## Camera Image Adjustment

---



### 1 Sharpness

Using this control, sharpness of image can be adjusted to meet your preference.

### 2 Brightness

Using this control, brightness of image can be adjusted to meet your preference.

### 3 Contrast

Using this control, contrast of image can be adjusted to meet your preference.

### 4 Saturation

Using this control, Saturation of image can be adjusted to meet your preference.

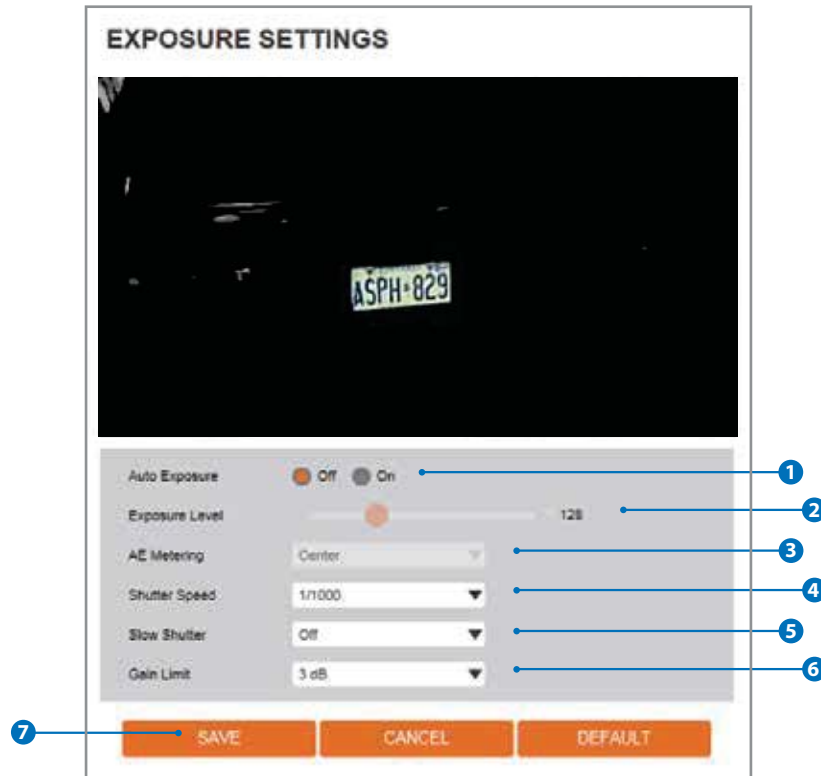
### 5 Click 'Save' to save the current settings.

- ☒ Click 'Cancel' to return to the previous setting.
- ☒ Click 'Default' to settings to the factory defaults.

# Setup - Camera Setup

## Camera Exposure Settings

---



### 1 Auto Exposure

Automatic exposure(AE) automatically sets the aperture or shutter speed, based on the external lighting conditions for the photo.

### 2 Exposure Level

If this value is increases, the image becomes brighter.

### 3 AE Metering

AE metering mode refers to the way in which a camera determines the exposure.

### 4 Shutter Speed

If this speed is faster, the moving object can be photographed without the ghost effect. However, picture can be dark if there is no sufficient lighting.

### 5 Slow Shutter Level

Slow shutter Level lets you adjust the amount of light striking the sensor, and essentially determines when the video sensor sends out its batch of data for processing.

### 6 Gain Limit

The smaller number makes the daker image.

### 7 Click 'Save' to save the current settings.

⊠ Click 'Cancel' to return to the previous setting.

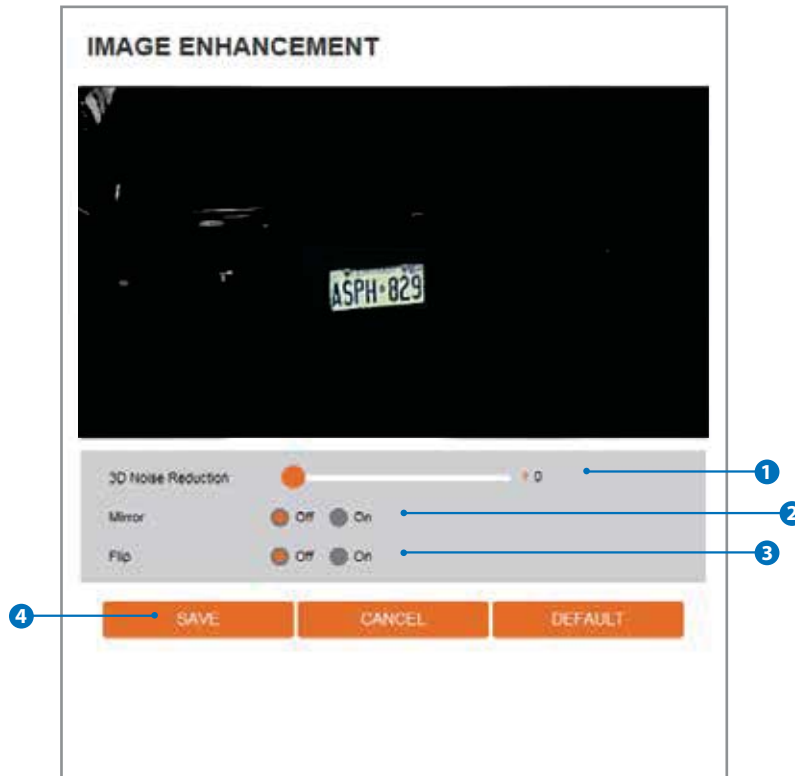
⊠ Click 'Default' to settings to the factory defaults.



# Setup - Camera Setup

## Camera Image Enhancement

---

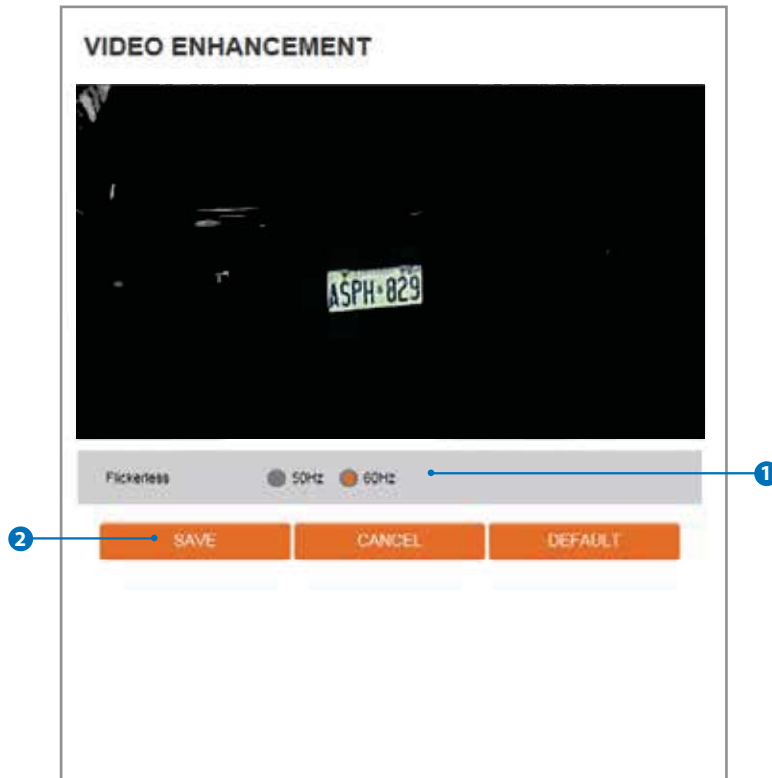


- 1 3D Noise Reduction**  
3DNR function enables to suppress noise and retain good video quality in low light conditions.
- 2 Mirror**  
Reverse the video from side to side.
- 3 Flip**  
Reverse the video from up to down.
- 4 Click 'Save' to save the current settings.**
  - ⊠ Click 'Cancel' to return to the previous setting.
  - ⊠ Click 'Default' to settings to the factory defaults.

# Setup - Camera Setup

## Video Enhancement

---



- 1 Flicker**  
This function Enable to enhance the flicker situation.
- 2** Click 'Save' to save the current settings.
  - ⊠ Click 'Cancel' to return to the previous setting.
  - ⊠ Click 'Default' to settings to the factory defaults.

# Setup - Network Setup

## Network Status

---

| NETWORK STATUS       |                   |
|----------------------|-------------------|
| MAC Address          | 64:76:57:CE:00:43 |
| IP Address           | 192.168.1.33      |
| Subnet Mask          | 255.255.0.0       |
| Default Gateway      | 192.168.1.1       |
| Preferred DNS Server | 203.248.252.2     |
| Alternate DNS Server | 164.124.101.2     |
| HTTP Port            | 80                |
| RTSP Port            | 554               |

This menu will show you all the information of Network setting in the camera. However, you cannot change those here.

# Setup - Network Setup

## Network Settings

The screenshot shows a 'NETWORK SETTINGS' configuration page. It is divided into three main sections: 'Network Type', 'IP setup', and 'Port Setup'. The 'Network Type' section has radio buttons for 'Static' (selected) and 'Dynamic'. The 'IP setup' section contains input fields for 'IP Address' (192.168.1.113), 'Subnet Mask' (255.255.255.0), 'Default Gateway' (192.168.1.1), 'Preferred DNS Server' (168.126.63.1), and 'Alternate DNS Server' (168.126.63.2). The 'Port Setup' section contains input fields for 'HTTP Port' (80), 'HTTPS Port' (443), and 'RTSP Port' (554). Each field has a default range in brackets. At the bottom is an orange 'APPLY' button. Numbered callouts 1 through 10 point to these elements: 1 to Network Type, 2 to IP Address, 3 to Subnet Mask, 4 to Default Gateway, 5 to Preferred DNS Server, 6 to Alternate DNS Server, 7 to HTTP Port, 8 to HTTPS Port, 9 to RTSP Port, and 10 to the APPLY button.

### 1 Network Type

Define network IP address type from the Static Mode for the fixed IP or the Dynamic Mode by the dynamic IP address. If you select the Static Mode, you must fill out IP Address, Subnet Mask, Gateway, DNS Server and all ports.

If you select the Dynamic Mode, the IP address will be allocated automatically by DHCP equipment. If you click the Apply button to update changes, the system will be re-booted. In this case, you have to reconnect the camera using new IP address.

### 2 IP Address

Define the IP address. The address is consisted of four numbers separated by dots and the range of each number is from 0 to 255.

### 3 Subnet Mask

Define the Subnet Mask. Format is same as the IP address.

### 4 Default Gateway

Default the Gateway IP Address. Format is same as the IP address.

### 5 Preferred DNS Server

Define the DNS server IP address. Format is same as the IP address.

### 6 Alternate DNS Server

Define the Secondary DNS server IP address. Format is same as the IP address.

### 7 HTTP Port

The HTTP port can be set to 80 which default or in between 1025 to 60000.

### 8 HTTPS Port

The HTTPS port can be set to 443 which default or in between 1025 to 60000.

### 9 RTSP Port

The RTSP port can be set to 554 which default or in between 1025 to 60000.

### 10 Click 'Apply' to make above setting effective.

⚠ If the network type is dynamic, the IP address is changed in below cases. Therefore, the IP address needs to be searched again, and the camera needs to be reconnected in these cases.

- When the camera power is on / off.
- After Firmware update, Default set and reboot.

# Setup - Network Setup

## Auto IP Settings

---

**AUTO IP SETTINGS**

**General Setting**

Off  On

|                        |                                      |
|------------------------|--------------------------------------|
| <b>UNIQUE ID</b>       | a832a4fb-8821-4c35-b232-66c415d674a5 |
| <b>AUTO IP ADDRESS</b> | 169.254.169.3                        |

**APPLY**

- 1 General Setting**  
Auto IP Settings function can be enable or disable.
- 2 Auto IP Settings Information**  
It displays the unique id or Auto IP address.
- 3** Click 'Apply' to make above setting effective.

# Setup - Network Setup

## ONVIF Settings

---

The screenshot shows the 'ONVIF SETTINGS' configuration page. It features two main sections: 'Authentication' and 'Discovery mode'. The 'Authentication' section has three radio button options: 'None', 'WS-Usertoken', and 'WS-Usertoken + Digest'. The 'Discovery mode' section has two radio button options: 'Discoverable' and 'Nondiscoverable'. Below these sections is an orange 'APPLY' button. Three blue callout boxes with numbers 1, 2, and 3 are present. Callout 1 points to the 'Authentication' section, callout 2 points to the 'Discovery mode' section, and callout 3 points to the 'APPLY' button.

### 1 Authentication

**None:** Allows to access without ONVIF authentication.

**WS-Usertoken:** Allows to access with WS-User Token of ONVIF authentication.

**WS-Usertoken +Digest:** Allows to access with WS-User Token and Digest of ONVIF authentication.

### 2 Discovery Mode

The discovery function can be enable or disable.

### 3 Click 'Apply' to make above setting effective.

# Setup - Network Setup

## UPNP Settings

---

The screenshot shows the 'UPNP SETTINGS' interface. It is divided into two main sections: 'General Setting' and 'Device Information'. The 'General Setting' section has two radio buttons: 'Off' (selected) and 'On'. The 'Device Information' section has a text input field labeled 'FriendlyName' with the value 'IPNC NSP2-ALAHQ'. Below these sections is an orange 'APPLY' button. Three numbered callouts are present: '1' points to the 'General Setting' section, '2' points to the 'Device Information' section, and '3' points to the 'APPLY' button.

**1 General Setting**

UPNP function can be enable or disable.

**2 Friendly Name**

Define the friendly name.

**3 Click 'Apply' to make above setting effective.**

# Setup - Network Setup

## DDNS Settings

---

**DDNS SETTINGS**

Disable 1

Public DDNS 2

Address

Host Name

User Name

Password

3

### 1 DDNS Disable

If it is selected, DDNS service does not work.

### 2 Public DDNS

To use public DDNS service, select a site address listed in the list. After filling out the Host Name of the site, the setup is completed by entering User Name and Password registered in that DDNS site.

| DDNS Provider | Site Address   |
|---------------|----------------|
| DynDNS        | www.dyndns.com |
| No-IP         | www.no-ip.com  |

☒ If you setup DDNS properly, the IP address of your camera will be updated automatically whenever IP address is changed or system is rebooted.

☒ If IP updating to DDNS site is failed, camera will keep retrying in 1min. interval.

### 3 Click 'Apply' to make above setting effective.



# Setup - Network Setup

## FTP Settings

---

**FTP SETTINGS**

**General Setting**

Off  On

**Server information**

FTP Server Address

FTP Upload Path /

FTP Port 21

User ID

Password

APPLY

To transfer / save the image to the relevant sites through FTP, then FTP needs to be setup.

**1 General Setting**

FTP function can be enable or disable.

**2 FTP Server Address**

Define FTP Server IP Address. If IP Address form is incorrect, a Message box will be shown to try again.

**3 FTP Upload Path**

Define a path in FTP server to store video. For the path name, English Alphabets, numbers and special characters ( / ~ !@ \$ ^ ( ) \_ - { } [ ] ; , ) can be used.

**4 FTP Port**

Define the FTP Server Port. If Port is not appropriate, it is impossible to access to FTP Server.

**5 User ID**

Define User ID to access to the FTP Server. Fill out the correct User ID registered in the FTP Server.

**6 Password**

Define Password to access to the FTP Server. Fill out the correct Password registered in the FTP Server.

**7 Click 'Apply' to make above setting effective.**

☒ Refer the above screen image for the example.

# Setup - Network Setup

## SMTP Settings

The screenshot shows the 'SMTP SETTINGS' configuration page. It is divided into three main sections: 'General Setting', 'Account information', and 'Mail Contents'. At the bottom is an 'APPLY' button. Numbered callouts (1-11) point to various elements: 1 points to the 'General Setting' header; 2 points to the 'Mode' radio buttons (PLAIN and SSL/TLS); 3 points to the 'SMTP Server Address' input field; 4 points to the 'PORT' input field (containing '25'); 5 points to the 'User ID' input field; 6 points to the 'Password' input field; 7 points to the 'E-Mail Sender' input field; 8 points to the 'E-Mail Receiver' input field; 9 points to the 'Title' input field; 10 points to the 'Message' input field; and 11 points to the 'APPLY' button.

To send/ save the image to the relevant sites by Email, SMTP needs to be setup.

### 1 General Setting

SMTP function can be enable or disable.

### 2 Mode

Select Security mode of SMTP from Plain or SSL/TLS. After checking account setup of your SMTP Server, you may select one.

### 3 SMTP Server Address

Define the SMTP Server Address. If the IP Address form is incorrect, a Message box will be shown to try again.

### 4 Port

Define the Port used in the Plain or SSL/TLS security mode in the above.

### 5 User ID

Define the User ID to access to SMTP Server. Fill out the correct User ID registered in the SMTP Server.

### 6 Password

Define the Password to access to SMTP Server. Fill out the correct Password registered in the SMTP Server.

### 7 E-Mail Sender

Define the e-mail address of E-Mail Sender. It will be displayed as the sender when the camera sends an E-mail.

### 8 E-Mail Receiver

Define the e-mail address of E-Mail Receiver. It will be displayed as the Receiver when the camera sends an E-mail.

### 9 Title

Define the title of the E-Mail when the camera sends an E-mail.

⊠ The title of the Email is limited to 40 characters including the spaces.

### 10 Message

Define the contents of E-Mail when camera sends an E-mail. The message of the Email is limited to 40 characters including the spaces.

11 Click 'Apply' to make above setting effective.

# Setup - Network Setup

## SNMP Settings

The screenshot shows the 'SNMP SETTINGS' configuration page. It is divided into three main sections: 'SNMP v1/v2c', 'SNMP v3', and an 'Activation' section. The 'SNMP v1/v2c' section includes radio buttons for 'SNMPV1' and 'SNMPV2', text input fields for 'Read Community' (public) and 'Write Community' (private), and radio buttons for 'SnmpTrap'. The 'SNMP v3' section includes a dropdown for 'Mode' (Read), an 'Activation' section with radio buttons (Off/On), and several dropdown menus for 'Read Name' (root), 'Security Level' (no auth, no priv), 'Authentication Algorithm' (MD5), 'Private-Key Algorithm' (DES), and 'Private-Key Password'. An orange 'APPLY' button is at the bottom. Numbered callouts 1 through 11 point to these specific elements.

### 1 SNMPv1/SNMPv2

Select the SNMPv1/SNMPv2 option and type the names of Read community and Write community.

SNMP trap can be used to check periodically for operational thresholds or failures that are defined in the MIB.

### 2 SNMP Trap

SNMP trap can be enable or disable.

SNMPv3 contains cryptographic security, a higher security level, which allows you to set the Authentication password and the Encryption password.

### 3 Mode

Select the either Read or Read/Write mode.

### 4 Activation

It can be enable or disable selected mode.

### 5 Read/Write name

Define Read name and Write name.

### 6 Security Level

Select one of no auth, no priv/auth , no priv/auth, priv

### 7 Authentication Algorithm

Select MD5 or SHA as the authentication method.

### 8 Authentication Password

The Authentication Password is an encryption for authentication and they are at least 8 digits and up to 30 digits allowed.

### 9 Private-Key Algorithm

Select DES or AES as the encryption algorithm.

### 10 Private-Key Password

Information protection password is a private encryption and they are at least 8 digits and up to 30 digits allowed.

### 11 Click 'Apply' to make above setting effective.

# Setup - Network Setup

## RTSP Information

The screenshot shows the 'RTSP INFORMATION' configuration page. It is divided into several sections: 'RTSP Global Setting' with a 'Target Stream' dropdown menu; 'Session Timeout' with a 'Time Out' input field and a checkbox; 'Rtp Multicast' with radio buttons for 'MULTICAST' (Off/On), and input fields for 'IP', 'PORT', and 'TTL'; an orange 'APPLY' button; and a table at the bottom showing RTSP connection information. Five blue callout lines with numbered circles (1-5) point to specific elements: 1 points to the 'Target Stream' dropdown, 2 points to the 'Time Out' input field, 3 points to the 'PORT' input field, 4 points to the 'APPLY' button, and 5 points to the 'Type' column header in the table.

| No | Remote IP    | Port  | Type |
|----|--------------|-------|------|
| 1  | 192.168.1.39 | 49622 | TCP  |

### 1 Target Stream

Select the channel you want to set.

### 2 Time out

Set the RTSP time out.

☒ The session is disconnected after the specified time out.

### 3 RTP Multicast

Check RTP Multicast On/Off. To activate RTP Multicast,

1. Click "On" button

2. Enter accessible RTP Multicast IP, port for video stream control, RTP packet TTL

3. Click "Apply" button.

☒ It is possible to set each RTP Multicast for CH1~3.

### 4 Click 'Apply' to make above setting effective.

☒ Click this button when completed setup each channels.

### 5 It shows RTSP Connection information.

# Setup - Trigger Action Setup

## Action Rules Configuration

---

**ACTION RULES CONFIGURATION**

**Action Rules**

| Name      | Reserve Action | Action           |
|-----------|----------------|------------------|
| NewAction | 4 / 5          | RECORD,FTP,SMTP, |

**2** ADD    MODIFY    DELETE

**1 Action rules List**

It indicates the custom action rule information added to Action rules list.

**2** Click 'Add' to add custom action rules.

- ☒ Click 'Modify' to modify selected item from the action rules list.
- ☒ Click 'Delete' to delete selected item from the action rules list.

# Setup - Trigger Action Setup

## Action Rules Add/Modify

---

**ACTION RULES CONFIGURATION**

**General Setting**

Name

Action1

Action2

Action3

Action4

Action5

- 1 Name**  
Define name of action rules.
- 2 Action1 ~ Action5**  
Select the action to take if the event occurs.
- 3 Click 'Save' to save the current settings.**  
 Click 'Cancel' to return to the previous menu.

# Setup - Trigger Action Setup Image Transfer Configuration

**IMAGE TRANSFER CONFIGURATION**

Pre/Post Alarm Image

Number Of Image  Image Per Seconds(s) [ 1 ~ 5 ]

Pre-Alarm Duration  Second(s) [ 1 ~ 5 ]

Post-Alarm Duration  Second(s) [ 1 ~ 30 ]

**APPLY**

## 1 Pre / Post Alarm Image

Image Transfer due to event is configured by setting Image transfer rate and Pre/Post alarm duration.

|                            | Descriptions                                       |
|----------------------------|--|
| <b>Number of Image</b>     | Define Number of image transferred per second.     |
| <b>Pre-alarm Duration</b>  | Define duration of image transfer before an event. |
| <b>Post-alarm Duration</b> | Define duration of image transfer after an event.  |

## 2 Click 'Apply' to make above setting effective.

# Setup - Trigger Action Setup Relayout Configuration

---

The screenshot shows a configuration window titled "RELAYOUT CONFIGURATION". It contains the following elements:

- Relay Output:** A dropdown menu showing "01".
- Mode:** Two radio buttons: "Monostable" (selected) and "Bistable".
- Idle State:** Two radio buttons: "Closed" (selected) and "Open".
- Duration:** A text input field showing "0" and a label "Second(s) [ 0 ~ 30 ]".
- APPLY:** An orange button at the bottom.

Five numbered callouts (1-5) point to these elements: 1 points to the Relay Output dropdown, 2 points to the Monostable radio button, 3 points to the Closed radio button, 4 points to the Duration input field, and 5 points to the APPLY button.

**1 Relay Output**

Select the Relay output.

⊠ The number of relay outputs depends on the camera model.

**2 Mode**

Select the monostable / bistable for relay mode.

**3 Idle State**

Select whether the contact is normally opened or is closed.

**4 Duration**

Relay out is operated during the setting time.

⊠ If bistable mode is selected, this function is activation.

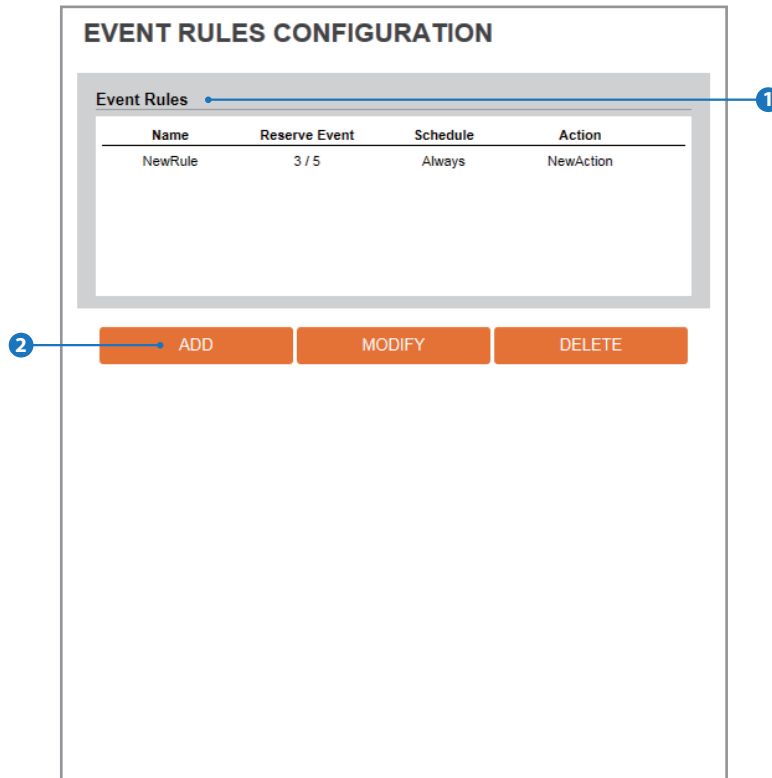
**5 Click 'Apply' to make above setting effective.**



# Setup - Events Setup

## Event Rules Configuration

---



**1 Event Rules List**

It indicates the custom Event Rule information added to Event Rules list.

**2** Click 'Add' to add custom event rules.

☒ Click 'Modify' to modify selected item from the event rules list.

☒ Click 'Delete' to delete selected item from the event rules list.

# Setup - Events Setup

## Event Rules Configuration

---

The screenshot shows a web form titled "EVENT RULES CONFIGURATION". It is divided into three main sections: "General", "Event Condition", and "Action".

- General:** Contains a "Name" field with the text "NewRule". A blue line with a circled "1" points to this field.
- Event Condition:** Contains an "Event" dropdown menu currently set to "NONE". A blue line with a circled "2" points to this dropdown.
- Action:** Contains a "Rules" dropdown menu currently set to "NONE". A blue line with a circled "3" points to this dropdown.

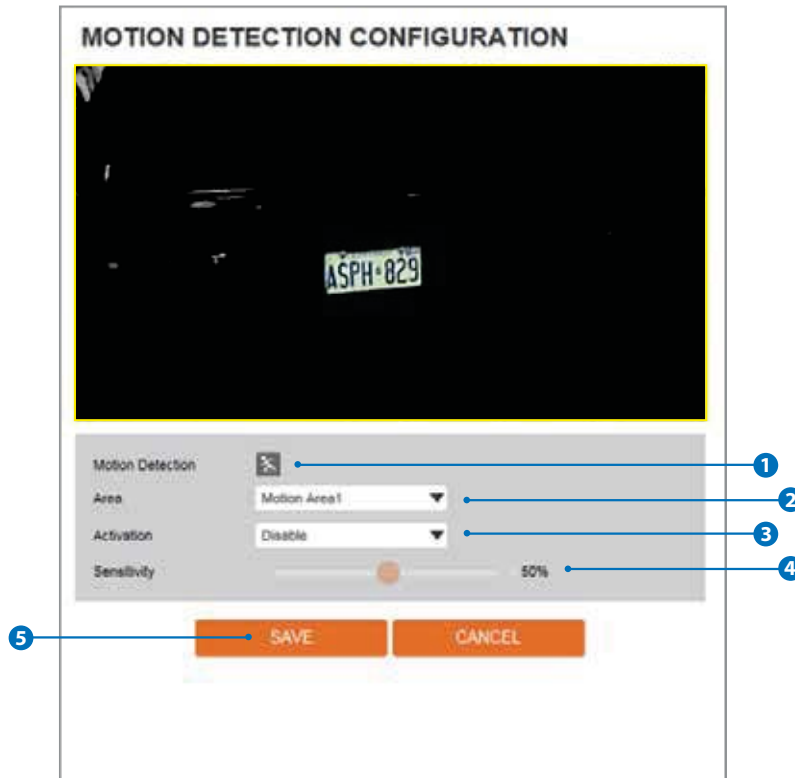
At the bottom of the form are two orange buttons: "SAVE" and "CANCEL". A blue line with a circled "4" points to the "SAVE" button.

- 1 Name**  
Define the Event rule name.
- 2 Event**  
Select the event among motion detection, schedule.
  - ☒ Click 'Cancel' to return to the previous setting.
  - ☒ You need a event one more.
- 3 Rules**  
Select the action rule defined in the Trigger Action-Action rule menu.
- 4** Click 'Save' to save the current settings.
  - ☒ Click 'Cancel' to return to the previous setting.

# Setup - Events Setup

## Motion Detection Configuration

---



### 1 Motion Detection

It shows the Motion event status.

☒ Event Alert Icon (🔔) appears if 'Motion Detection' is activated.

### 2 Area

Set the motion detected area.

☒ You can set up to four areas.

### 3 Activation

Enable or Disable motion detection function.

### 4 Sensitivity

Define the sensitivity of motion detection. If High value is selected, it will detect very small motion while it becomes relatively insensitive when Low value is selected.

### 5 Click 'Save' to save the current settings.

☒ Click 'Cancel' to return to the previous setting.

# Setup - Event Setup

## Temperature

---

The screenshot shows a web interface titled "TEMPERATURE" with a "General Setting" section. The settings are as follows:

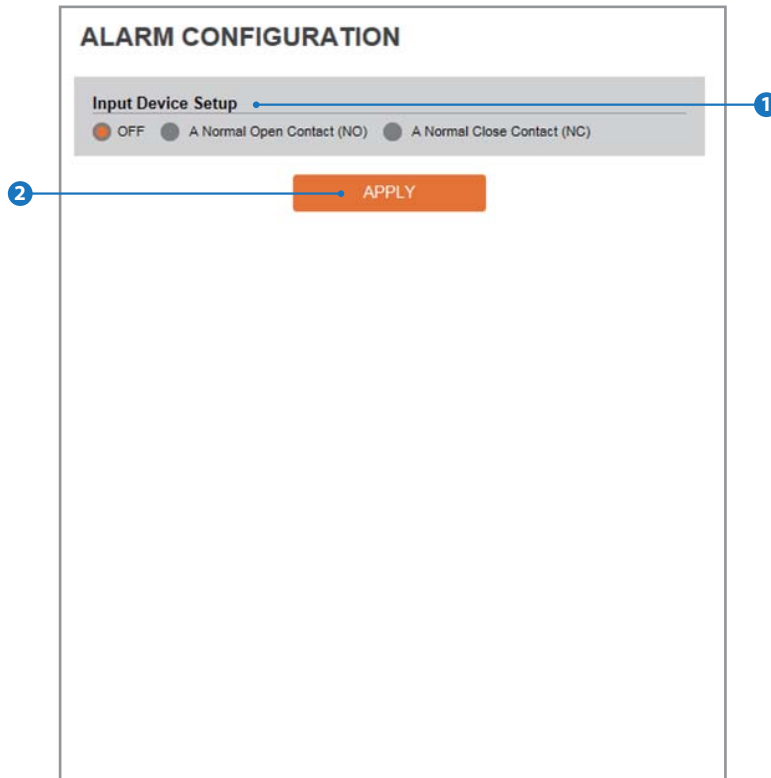
| Setting     | Value      | Range         |
|-------------|------------|---------------|
| Mode        | Fahrenheit |               |
| Threshold   | 150        | [ 122 ~ 212 ] |
| Temperature | 118 °F     |               |

Below the settings is an orange "APPLY" button. Four numbered callouts (1-4) point to the Mode dropdown, the Threshold input field, the Temperature display, and the APPLY button, respectively.

- 1 Mode**  
Select the either Fahrenheit and Celsius.
- 2 Threshold**  
Define the temperature at which the event trigger is occurred.
- 3 Temperature**  
It indicates the current temperature of the IP camera.
- 4** Click 'Apply' to make above setting effective.

# Setup - Events Setup Alarm Configurtaion

---



## 1 Input Device Setup

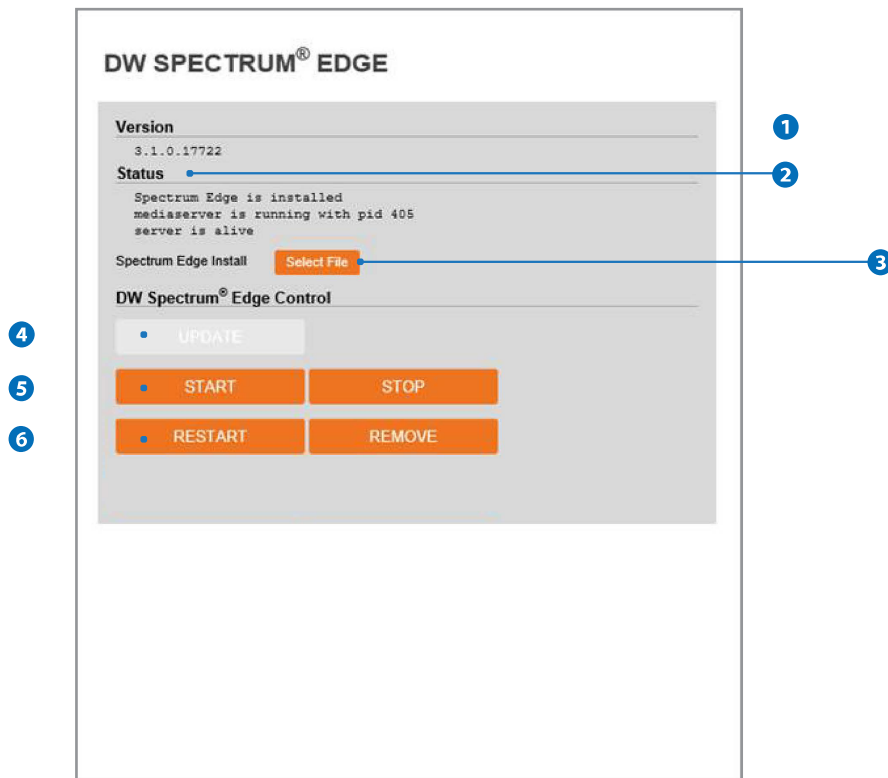
Select input device type from OFF / N.O. / N.C.

|     | Operation   |
|-----|---|
| OFF | Ignore this Input sensor.                               |
| NO  | The contact is normally open and closed when activated. |
| NC  | The contact is normally closed and open when activated. |

2 Click 'Apply' to make above setting effective.

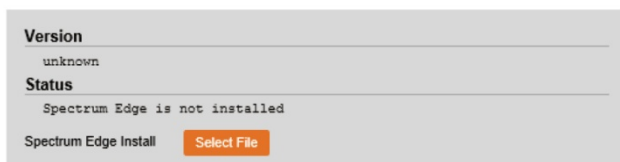
# Setup - Edge Setup

## DW Spectrum<sup>®</sup> Edge



- 1 **Version** - Displays the version of DW Spectrum<sup>®</sup> edge (media server) installed in the camera.
- 2 **Status** - Displays the status of the DW Spectrum<sup>®</sup> edge (media server) installed in the camera. Wait until the status of the server is marked as 'alive'.
- 3 Select a new version of DW Spectrum<sup>®</sup> edge (media server) file to update and upload.
- 4 Update with selected file. If you select file, it will be activated.
- 5 **DW Spectrum<sup>®</sup> edge (media server) start / stop**
  - Start : Start the DW Spectrum<sup>®</sup> edge (media server) installed in the camera.
  - Stop : Close the DW Spectrum<sup>®</sup> edge (media server) installed in the camera.
- 6 **DW Spectrum<sup>®</sup> edge (media server) restart / remove**
  - Restart : Restart the DW Spectrum<sup>®</sup> edge (media server) installed in the camera.
  - Remove : Delete the DW Spectrum<sup>®</sup> edge (media server) installed from the camera.

### ⌘ Before DW Spectrum<sup>®</sup> edge (media server) install.



# Setup - Edge Setup

## Storage Configuration

---

**STORAGE CONFIGURATION**

**Notice**

1. If SD Card does not automatically mount, you must format for mounting SD card.

**Storage List**

| Name    | Mounted | Size  | Used(%) | Available |
|---------|---------|-------|---------|-----------|
| sdcard0 | 0       | 29.8G | 4%      | 28.5G     |

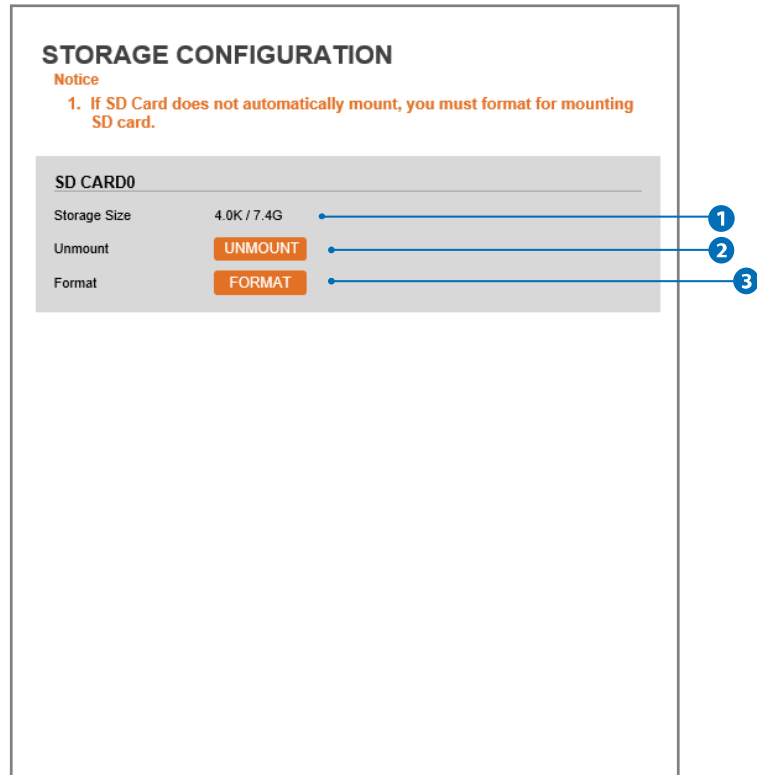
**Display the SD card information mounted from device.**

☒ When you select the item in Storage list, You can set the functions related to the SD card.

# Setup - Edge Setup

## Storage Configuration

---



- 1 **Storage Size** - Total capacity of SD card and the remainder of it are displayed.
- 2 **Unmount** - Remove the SD card from the device. UNMOUNT cannot be done when EDGE (Media server) is running.
- 3 **Format** - Delete the all contents that stored in SD card. FORMAT cannot be done when EDGE (Media server) is running.



# Setup - Security Setup

## IP Address Filter Configuration

---

The screenshot shows the 'IP ADDRESS FILTER CONFIGURATION' interface. It is divided into several sections:

- General Setting:** Contains a toggle for 'IP Address Filter' (On/Off) and a dropdown for 'IP Filter Type' (set to 'Allow').
- APPLY:** An orange button to save the configuration.
- Filtered IP Address:** A list box showing the current filtered IP addresses.
- IP Address:** An input field for adding a new IP address, currently showing '[ Invalid ]'.
- Buttons:** 'ADD', 'REMOVE', and 'REMOVE ALL' buttons at the bottom.

Numbered callouts (1-6) point to the following elements:

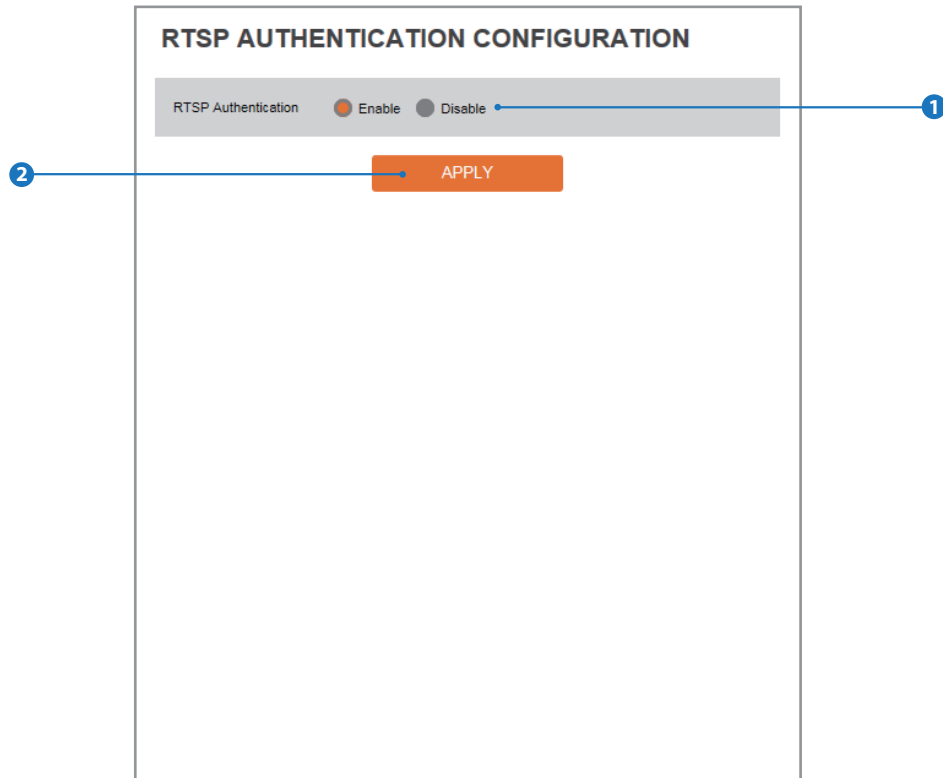
- IP Address Filter toggle
- IP Filter Type dropdown
- APPLY button
- Filtered IP Address list box
- IP Address input field
- ADD button

- 1 IP Address Filter**  
IP filter function can be enable or disable.
- 2 IP Filter Type**  
Select the recording IP filter type.
- 3** Click 'Apply' to make above setting effective.
- 4 Filter IP Address**  
Display the filtered IP address.
- 5 IP Address**  
Define the IP address you want to apply the IP filter.
- 6** Click 'Add' to add the ip address to the list.
  - ☒ Click 'Remove' to remove the ip address selected in the list.
  - ☒ Click 'Remove All' to remove all ip in the list.

# Setup - Security Setup

## RTSP Authentication Configuration

---



- 1 RTSP Authentication**  
RTSP Authentication can be enable or disable.
- 2** Click 'Apply' to make above setting effective.

# Setup - Security Setup

## IEEE 802.1X Configuration

The screenshot shows the 'IEEE 802.1X CONFIGURATION' page. Under the 'General Setting' section, there are several fields: 'IEEE 802.1x' with 'On' selected, 'Protocol' set to 'MD5', 'EAPOL Version' set to '1', 'ID', 'Password', 'Verify', 'CA Certificate' set to 'NONE', and 'Certificate' set to 'NONE'. An orange 'APPLY' button is at the bottom. Numbered callouts 1 through 9 point to these elements: 1 to the IEEE 802.1x toggle, 2 to the Protocol dropdown, 3 to the EAPOL Version dropdown, 4 to the ID text input, 5 to the Password text input, 6 to the Verify text input, 7 to the CA Certificate dropdown, 8 to the Certificate dropdown, and 9 to the APPLY button.

The feature is needed when connecting the camera to the network protected by the IEEE 802.1X.

**1 IEEE 802.1x**

The IEEE 802.1x feature can be enable or disable.

**2 Protocol**

MD5: It provides one-way password-based network authentication of the client.

PEAP: It is similar to TTLS in that it does not require a certificate on the client side.

TTLS/MD5: It does not require a certificate on the client side.

TLS: It relies on client-side and server-side certificates to perform authentication.

**3 EAPOL Version**

Select the EAPOL Version.

**4 ID**

Type the ID to identify the client in the IEEE 802.1X authentication server.

**5 Password**

Type the Password to identify the client in the IEEE 802.1X authentication server.

**6 Verify**

Verify Password.

**7 CA Certificate**

Select the CA certificate required for TLS, TTLS, and PEAP authentication.

**8 Certificate**

Select the client certificate required for TLS authentication

**9 Click 'Apply' to make above setting effective.**

# Setup - Security Setup

## HTTPS Configuration

---

The screenshot shows the 'HTTPS CONFIGURATION' interface. At the top, there is a red instruction: '1. If no certificates are available go to certificates to manage.' Below this, there are two main sections: 'Certificates' and 'HTTPS connection Policy'. The 'Certificates' section has a 'Certificate' dropdown menu currently set to 'NONE', with a blue callout '1' pointing to it. The 'HTTPS connection Policy' section has three dropdown menus for 'Administrator', 'Operator', and 'Viewer', all set to 'HTTP and HTTPS', with a blue callout '2' pointing to the 'Operator' dropdown. At the bottom of the form is an orange 'APPLY' button, with a blue callout '3' pointing to it.

HTTPS encrypts session data over SSL or TLS protocols instead of using plain text in socket communications.

### 1 Certificate

Select an installed certificate.

- ⊠ If you can not select a certificate, please install the certificate from the Security->Certificates menu.

### 2 HTTPS connection Policy

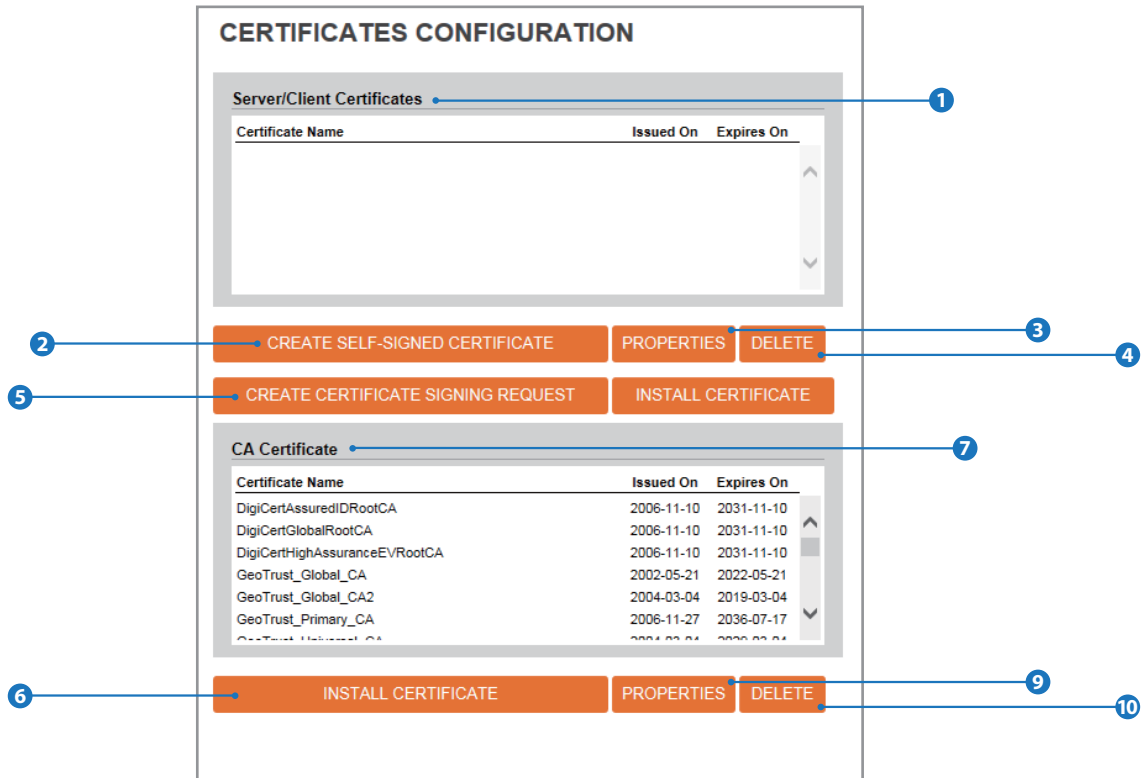
Select one of "HTTP", "HTTPS", "HTTP and HTTPS" depending on the connected user authority.

### 3 Click 'Apply' to make above setting effective.

- ⊠ When HTTPS mode is chosen, input https://<IP Address> to connect to the camera.

# Setup - Security Setup

## Certificates Configuration



**1 Server/Client Certificates**

It show the installed certificates.

**2 Create Self-Signed Certificate**

A self-signed SSL certificate is an identity certificate signed by its own creator. but they are considered to be less trust-worthy.

**3 Properties**

Shows information about the selected certificate.

**4 Delete**

Delete the selected certificate.

**5 Create Certificate signing request**

This is the encoded data that contains the necessary information for issuing the certificate.

- ⊠ they must be filled in when creating the CSR (Certificate Signing Request).

**6 Install Certificate**

Install Certification

**7 CA Certificate**

It show the installed CA certificates.

**8 Install CA Certificate**

Install Certification, see the detail page.

**9 Properties**

Shows information about the selected certificate.

**10 Delete**

Delete the selected CA certificate.

# Setup - Security Setup

## Certificates Configuration

**CERTIFICATES CONFIGURATION**

**Create Self-Signed Certificate**

Certificate Name:

Expires On:

Country:

State Or Province:

Locality:

Organization:

Organization Unit:

Common Name:

**Install Certificate**

Certificate From Signing Request (1)

Certificate And Private Key (2)

Use Separate Key

PKCS#12

Password:

Certificate Name:  (3)

Certificate File:  (4)

(5)  (6)

**Install CA Certificate**

Certificate Name:  (7)

Certificate File:  (8)

(9)  (10)

### Detail for Install Certification.

- 1 Certificate From Signing Request**  
Select to install signed certificate returned from the CA.
- 2 Certificate And Private Key**  
Select to install Certificate And Private Key to install a certificate and private key.  
Use Separate Key: Too install certificate uploading Certificate and Private Key file.  
PKCS#12 : "PKCS#12" is cryptography standard. if you want to install using PKCS#12, must enter the password.
- 3 Certificate Name**  
Enter a unique name to identify certificate.
- 4 Select File**  
Choose certification file.
- 5 OK**  
Request installing certificate.

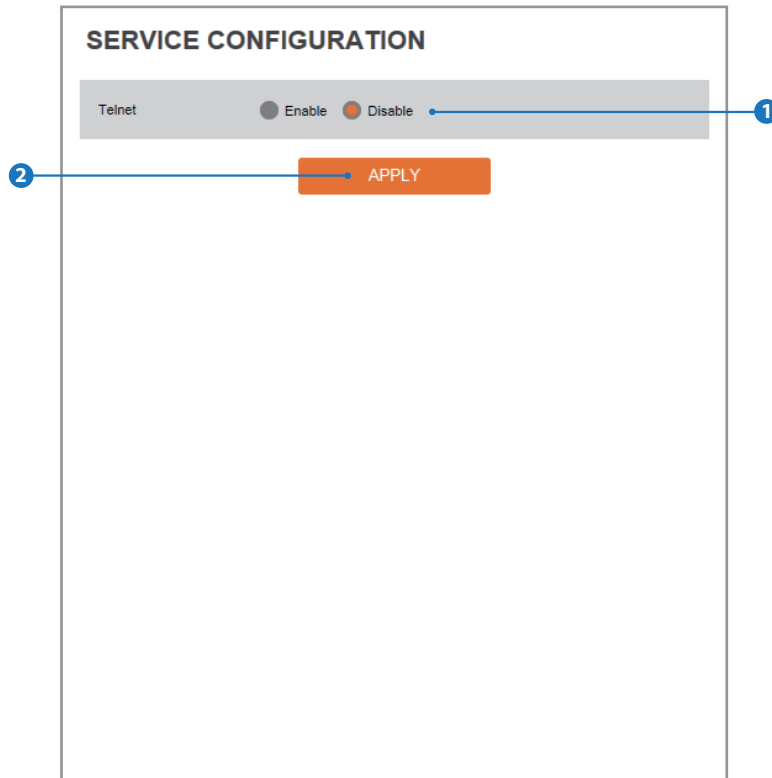
- 6 Cancel**  
Cancel install certificate and then back to certificates configuration.

### Detail for Install CA Certification.

- 7 Certificate Name**  
Enter a unique name to identify CA certificate.
- 8 Select File**  
Choose CA certification file
- 9 OK**  
Request installing CA certificate.
- 10 Cancel**  
Cancel install CA certificate and then back to certificates configuration.

# Setup - Security Setup Service Configuration

---



- 1 **Telnet**  
The Telnet function can be enable or disable.
- 2 Click 'Apply' to make above setting effective.

# Setup - System Setup

## System Information

---

### SYSTEM INFORMATION

Device Name  1

2

|                     |             |
|---------------------|-------------|
| Model Name          | N5Fx-ALAH   |
| Manufacturer        | IPNC        |
| Max Resolution      | 1080p       |
| Max Framerate       | 30 fps      |
| Photo Resistor(CDS) | SUPPORT     |
| Alarm In            | NOT SUPPORT |
| Relay out           | NOT SUPPORT |
| Audio               | NOT SUPPORT |
| Optical Zoom        | NOT SUPPORT |
| Digital Zoom        | NOT SUPPORT |
| PTZ                 | NOT SUPPORT |

### System Capability information.

- 1 Device Name**  
You can define the device name.
- 6** Click 'Apply' to make above setting effective.



# Setup - System Setup

## Firmware Update

**FIRMWARE UPDATE**

**Notice**

1. Do not power off during update. It may cause fatal system damage.
2. If Explorer was closed abnormally or a user closed accidentally while uploading firmware file, please try again after 30 seconds.
3. Please do not select other menus while updating firmware file.

**Version Information**

|        |                 |
|--------|-----------------|
| System | 2016.4.22_0.9.3 |
| Camera | 0.1             |

**Web update**

Firmware File

**FTP user information**

|                    |  |
|--------------------|--|
| FTP Server Address | <input type="text" value="ftp.dwcc.tv"/> |
| FTP Port           | <input type="text" value="21"/>          |
| User ID            | <input type="text" value="dwmpix"/>      |
| Password           | <input type="password" value="*****"/>   |
| FTP Upload Path    | <input type="text" value="/"/>           |

### 1 Version Information

It shows the current Firmware Version in the system.

### 2 Web Update

Select the Firmware file in your computer by clicking [Select file] button.

### 3 Start F/W Update

Click this button to start update. Progress of uploading will be displayed using Progress Bar. If you assign the wrong file name, an error message will be shown.

### ⚠ Warning:

1. Do not turn off the power of camera during the Firmware update. Otherwise, the system can be stuck to be unstable. If updating is finished, the system will be rebooted automatically.
2. Please make sure to check the 'Notice' shown on screen. If firmware update is completed, the camera will reboot automatically and 'Setup window' will be closed.

# Setup - System Setup

## Firmware Update

### 4 FTP Server Address

Define FTP Server IP Address. If IP Address form is incorrect, a Message box will be shown to try again.

### 5 FTP Port

Define the FTP Server Port. If Port is not appropriate, it is impossible to access to FTP Server.

### 6 User ID

Define User ID to access to the FTP Server. Fill out the correct User ID registered in the FTP Server.

### 7 Password

Define Password to access to the FTP Server. Fill out the correct Password registered in the FTP Server.

### 8 FTP Upload Path

Define a path in FTP server to store video. For the path name, English Alphabets, numbers and special characters (/ ~ ! @ \$ ^ ( ) \_ - { } [ ] ; , ) can be used.

### 9 Click 'Save' to make above setting effective.

|        |  |
|--------|--|
| SAVE   | Save FTP information   |
| CANCEL | Click 'Cancel' to return to the previous setting.  |
| CHECK  | Check the F/W file and if the file exists, 'F/W Update' button will appear and click it to update for F/W. |

# Setup - System Setup

## Date & Time Settings

---

The screenshot shows the 'DATE&TIME SETTINGS' interface. It is divided into three main sections: 'TimeZone Setup', 'Current Date & Time', and 'New Camera Date & Time'. Each section has an 'APPLY' button below it. Callout 1 points to the 'TimeZone Setup' section, which includes a dropdown menu for 'TimeZone' set to '(GMT 00) Greenwich Mean Time, Lisbon, London,'. Callout 2 points to the 'Current Date & Time' section, showing 'Date' as '2005-01-01' and 'Time' as '00:02:38'. Callout 3 points to the 'Synchronize with my computer' radio button in the 'New Camera Date & Time' section, which is currently selected. Callout 4 points to the 'Setup manually' radio button. Callout 5 points to the 'Synchronize with time server Time Zone' radio button, which is currently unselected. Callout 6 points to the 'APPLY' button at the bottom of the 'New Camera Date & Time' section. The 'New Camera Date & Time' section also includes date and time input fields for both methods, and a 'TimeZone' dropdown menu set to 'time-a.nist.gov'.

### 1 TimeZone Setup

Choose TimeZone for camera. It will be activated after clicking 'Apply' button.

⚠ Prior to setting below 'New Camera Date & Time', set correct Timezone first.

### 2 Current Date & Time

Shows the current date and time setting in the Camera.

### 3 Synchronize with my computer

Set the date / time using those of PC currently connected.

### 4 Setup manually

Set the date / time by typing manually.

### 5 Synchronize with time server(NTP)

Choose time server available to connect to current camera. Date & Time will be updated automatically every hour when connected.

### 6 Click 'Apply' to make above setting effective.

# Setup - System Setup

## DST Settings

---

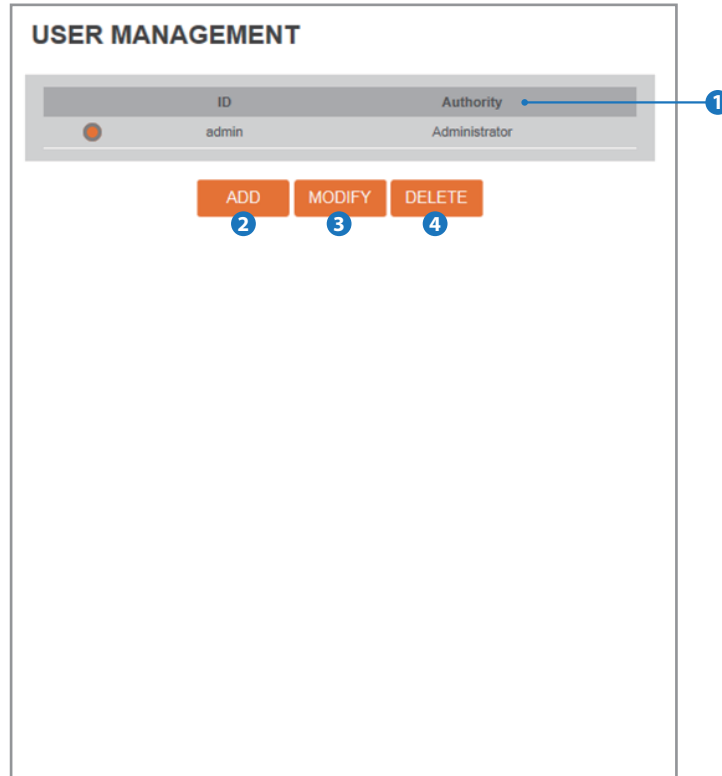
The screenshot shows the 'DST SETTINGS' interface. It is divided into two main sections: 'General Setting' and 'Date&Time Settings'. The 'General Setting' section has two radio buttons: 'Off' (selected) and 'On'. The 'Date&Time Settings' section has two rows of dropdown menus. The first row is for 'Start Time' and the second row is for 'End Time'. Both rows have dropdowns for month (Jan), occurrence (First), day (Sun), and time (0 o'clock). Below these settings is an orange 'APPLY' button. Three blue callout lines with circular numbers 1, 2, and 3 point to the 'General Setting' section, the 'Date&Time Settings' section, and the 'APPLY' button, respectively.

Daylight Saving Time (DST) is the practice of setting the clocks forward one hour from standard time during the summer months, and back again in the fall, in order to make better use of natural daylight.

- 1 General Setting**  
DST function can be enable or disable.
- 2 Date&Time Settings**  
Set the Start time and end time that the DST apply.
- 3** Click 'Apply' to make above setting effective.

# Setup - System Setup

## Users Management



### 1 Users

List all the user accounts for authentication.

### 2 Add

Register a new user

|                       |  |
|-----------------------|--|
| <b>ID</b>             | Enter a new user ID except Admin since it exists.  |
| <b>Password</b>       | Enter the user Password.   |
| <b>Verify</b>         | Enter the user Password again for verification.  |
| <b>User Authority</b> | Select Operator or Viewer.<br>Viewer : Only monitoring is allowed.<br>Operator : Most of the functions are allowed except 'Setup'.<br>Administrator : All functions are allowed. |

⊗ The ID and Password are limited to 10 characters.

Click 'Apply' to make above setting effective.

⊗ Click 'Cancel' to return to the previous menu.

### 3 Modify

Modify the information of the user accounts registered.  
For admin account, only Password function can be modified.

### 4 Delete

Delete the selected user account. Admin account cannot be deleted.

# Setup - System Setup

## System Log

---

The screenshot shows the 'SYSTEM LOG' interface. At the top, there is a 'Filter' section with a search bar and several filter options: Date (2016-04-22), Time (0:00:00), Type (All), and Sort (Decending). Below the filter section are two buttons: 'REFRESH' (orange) and 'FILTER' (grey). Below the buttons is a 'List' section containing a table of log entries. The table has three columns: 'Date & Time', 'Log', and 'IP'. The log entries include 'Change video encoder config', 'RTSP session connected', 'Network initialized', 'Sensor alarm accured : 1 : Off', 'System initialized', 'System terminated', and 'Factory default'. At the bottom of the list, there is a pagination bar with page numbers 1 through 10 and navigation arrows.

| Date & Time         | Log                            | IP           |
|---------------------|--------------------------------|--------------|
| 2005/01/01-00:07:14 | Change video encoder config    | 192.168.1.39 |
| 2005/01/01-00:00:20 | RTSP session connected         | 192.168.1.39 |
| 2005/01/01-00:00:19 | RTSP session connected         | 192.168.1.39 |
| 2005/01/01-00:00:17 | RTSP session connected         | 192.168.1.39 |
| 2005/01/01-00:00:15 | Network initialized            | system       |
| 2005/01/01-00:00:15 | Sensor alarm accured : 1 : Off | system       |
| 2005/01/01-00:00:15 | System initialized             | system       |
| 2005/01/01-00:45:47 | System terminated              | system       |
| 2005/01/01-00:45:46 | Factory default                | 192.168.1.39 |

### 1 Filter

Select a date, sort or type of log to filter the log.

### 2 Click the 'Refresh' button to refresh the log list.

☒ Click 'Filter' to view the filtered log.

### 3 System Log List

The filtered log is displayed.

# Setup - System Setup

## Factory Reset

---



### 1 Reset to the factory defaults

Return the setup to the factory default.

---

#### All

Reset all Settings to the factory defaults.

---

#### Except Network Settings

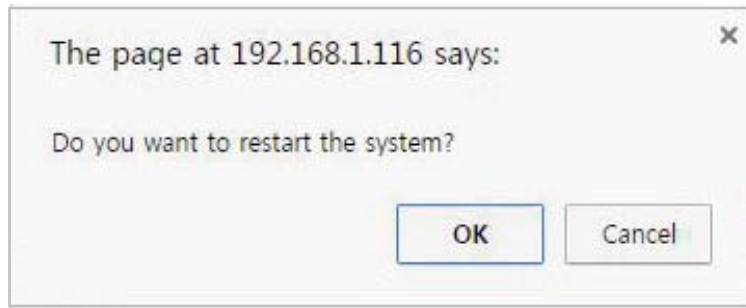
Except Network related settings , reset all others to the factory default.

### 2 Click 'Apply' to make above setting effective.

# Setup - System Setup

## Restart

---



If you click the 'RESTART' menu, a message box will be shown to confirm. Click the 'Ok' button to restart.



# Network Setup - Quick Start of Network Connection

---

## Please follow the steps below to complete the initial setup of the network function.

- ❗ Please do not power on the IP Camera until instructed.
- ❗ Temporarily disable any proxy servers configured in internet Explorer.
- ❗ If connecting the IP Camera directly to a modem, power down and reset the modem. Leave the modem powered down until configurations are finalized with the IP Camera and the IP Camera has been correctly connected to the modem.

1. Connect the IP Camera and PC to the configured network.
2. Open the IP Installer on a PC, then search for the IP camera.

- ❗ If you have a DHCP server, it will automatically set the Camera IP.
- ❗ If you do not have a DHCP server, Camera IP is set to 192.168.1.80 after one minute. In this case, PC IP must be changed to the IP to be able to access the 192.168.1.80.

3. If multiple numbers of camera are connected it should be distinguished by the mac address of the Camera.
4. Click the Camera IP, and connect to the WEB PAGE.
5. Default ID/Password to access IP Camera are both the word: admin.
6. Familiarize yourself with the Viewer Interface Screen.
7. please install VLC to display live video.
8. The IP setting can be set to 'STATIC' at IP Installer or web viewer followed by Setup -> Network -> TCP / IP.
9. If the IP Camera is connected to a network which utilizes a router, you must have Port Forwarding configured on your personal router to forward all ports to the IP address you have assigned the IP Camera.
10. After configuring Port Forwarding on your router (if necessary), you may access your IP Camera on your local network by opening Internet Explorer and specifying the IP address and Web Port that you have assigned to the IP Camera.

- ❗ Example: <http://192.168.0.200:8888>
- ❗ If you leave your Web Port set to 80, you don't need to specify the port in the Address Bar to access to your IP Camera.

## 11. Access your IP Camera via the Internet :

---

### *If you use a static IP address assigned by your ISP*

- 1) Open Internet Explorer.
  - 2) Type the IP of the IP Camera.
  - 3) If you use a router, type the routers' static IP and the web port number of the IP Camera.
- 

### *If you have a dynamic address provided by your ISP*

- 1) Open Internet Explorer and visit the DDNS website.
  - 2) Register the IP Camera.
  - 3) Reboot the IP Camera.
  - 4) Give the DDNS server 10 minutes to locate your IP Camera's IP information.
  - 5) Click the refresh button in the Internet Explore.
  - 6) After your camera is connected, select your camera.
-

# Network Setup - DDNS Registration

---

If you have DYNAMIC IP service from your Internet Service Provider (ISP), you can't tell the current IP address of the IP Camera. To solve this problem, you have to register to our DDNS service.

At first, you have to check if you are using dynamic addressing. If so, register your IP Video Server on our DDNS website before you configure, setup, or install the IP Camera.

Even though your IP is not dynamic, you will get benefit if you register to DDNS. In this case, just remember 'hostname.dyndns.com/gate1' instead of complicated series of numbers like `http://201.23.4.76:8078`.

For more details, contact our Support Center.

☒ To use a public DDNS called 'dyndns' or 'no-ip', refer to the detail information on how to use the service.  
(Visit the web site : <http://www.dyndns.com> or <http://www.no-ip.com>)

# Network Setup - Guide to Network Environment

**Please configure the IP Camera at the installation site. You must determine your network scenario in order to configure the IP Camera with the proper TCP/IP settings. This tutorial will guide you through the process. Before actually configuring the IP Camera, determine settings to be applied. Record those settings to be used to configure your IP Camera for reference.**

**When configuring your IP Camera, treat the IP Camera as another PC on your network. You will assign it several addresses and other TCP/IP properties to match your current network.**

**This step-by-step tutorial will teach what IP addresses and network configurations should be assigned based on the network scenario.**

5. The following descriptions are several basic network scenarios. Determine which scenario describes your network. If your network does not match one of the scenarios below and you are unsure how to setup your IP Camera, contact your network administrator and then call our Support Center.

**i** You cannot control the rectangular gray areas and only the ISP has access to the devices.

1. Before you begin, locate any information and settings received from your Internet Service Provider (ISP). You may need to refer to these IP addresses at a later time during the configuration.

| Current TCP/IP Settings       |  |
|-------------------------------|--|
| IP Address                    |  |
| Subnet Mask                   |  |
| Default Gateway               |  |
| Primary DNS Server            |  |
| Secondary DNS Server (Option) |  |

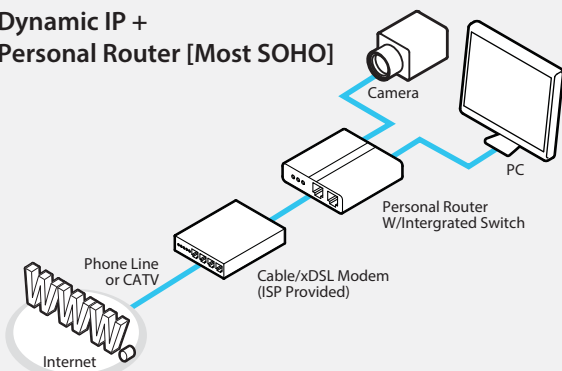
Static     Dynamic

- i** If you were not given any IP addresses or the ISP was responsible for the setup and installation of your Internet connection, go to step 2.
- i** If you are not using a router on your network, your 'Current TCP/IP Settings' (from the previous section) and 'Assigned IP Addresses from My ISP' will be exactly the same.

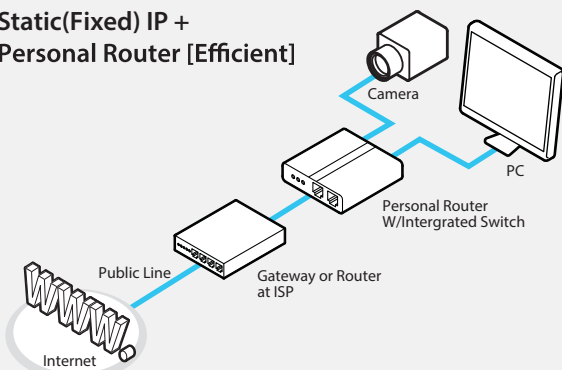
2. You must determine whether the IP address is STATIC or DYNAMIC. At this moment, you are only concerned about the ISP. Did they provide you with a STATIC or DYNAMIC address? If you are unsure, contact your ISP.
3. Configure your IP Camera's TCP/IP settings for network connectivity by selecting Setup from the main interface and selecting TCP/IP located on the left of the Setup screen.
4. If prompted for ID and Password, use 'admin' for both entries.  
The default web port number is 80. If port 80 is blocked by the ISP, a value between 1025 ~ 60000 should be used. If TCP port 80 is blocked, consult the ISP

# Network Setup - Setup Case A, B

## Case A: Dynamic IP + Personal Router [Most SOHO]



## Case B: Static(Fixed) IP + Personal Router [Efficient]



## Configure your IP Camera's TCP/IP properties as follows :

**1. Network Type :** STATIC (even though you have Dynamic IP from your ISP, use STATIC on the IP Camera)

**2. Internet Address :** A private IP address such as 192.168.0.200 (Example)

**i** You need to assign an IP address to the IP Camera just as you do with PC.

**i** The IP address you assign must be unique to your network and match your network as well. For information on how to choose a unique IP and match your network, read the FAQ.

**i** The IP address you assign must be a private IP. For information on how to choose a private IP please, read the FAQ.

**3. Subnet Mask :** 255.255.255.0 (Example)

**i** You must use the same subnet mask as the one you noted under 'Current TCP/IP Settings'.

**4. Default Gateway :** 192.168.0.1 (Example)

**i** This IP address must be the IP address of your router. (private or LAN side)

**i** Use the same Default Gateway you noted under 'Current TCP/IP Settings'.

**5. Preferred DNS Server :** Use the 1st DNS Server from 'Assigned IP Address from My ISP'.

**i** If you did not receive any IP addresses from your ISP, contact the ISP and acquire the IP address of their DNS server.

**6. DDNS Server :** Use the DDNS server.

**i** This is the same site you will register later to accommodate dynamic IP from your ISP.

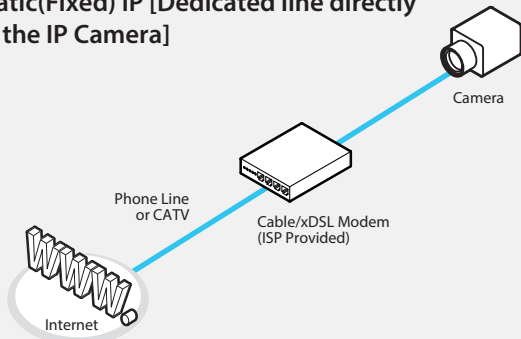
**7. Web Port :** 8888

**i** Do not use the default port 80 as this number must be changed.

**i** You may select any number between 1025 ~ 60000.

# Network Setup - Setup Case C, D

## Case C: Static(Fixed) IP [Dedicated line directly to the IP Camera]



### Configure your IP Camera's TCP/IP properties as follows :

1. **Network Type** : STATIC
2. **Internet Address** : A static IP address received from your ISP such as 24.107.88.125 (Example)

**i** You need to assign an IP address to the IP Camera just as you do with PC.

3. **Subnet Mask** : Subnet mask assigned from your ISP such as 255.255.255.240 (Example)

4. **Default Gateway** : 24.107.88.113 (Example)

**i** Use the assigned default gateway from your ISP

5. **Preferred DNS Server** : Use the 1st DNS Server from 'Assigned IP Address from My ISP'

**i** If you have not received any IP addresses from your ISP, contact them to acquire the IP address of their DNS server.

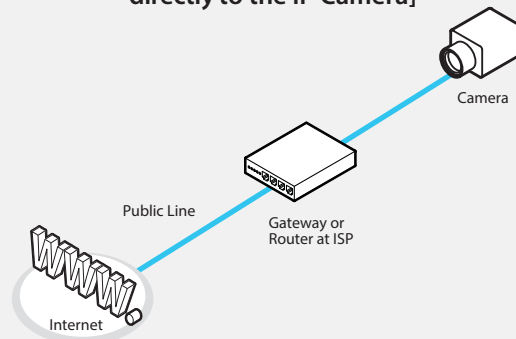
6. **DDNS Server** : Use the DDNS server

**i** This is the same site you will register later to utilize our DDNS service.

7. **Web Port** : 80

**i** You may select any number between 1025 ~ 60000.

## Case D: Dynamic IP + DSL/Cable Modem [Connected directly to the IP Camera]



**i** To connect the IP Camera directly to a modem, power down and reset the modem. Leave the modem powered down until configurations are finalized with the IP Camera and the IP Camera has been connected correctly to the modem. Then power on the modem, followed by the IP Camera.

### Configure your IP Camera's TCP/IP properties as follows :

1. **Network Type** : DYNAMIC
2. **DDNS Server** : Use the DDNS server

**i** This is the same site you will register later to accommodate dynamic IP from your ISP.

3. **Web Port** : 80

**i** You may select any number between 1025 ~ 60000.

# Network Setup - Port Forwarding

---

**After entering the correct TCP/IP settings, you are ready for 'Port Forwarding'(Cases A, B).**

1. Please record the TCP/IP settings of your IP Camera for future reference. You may need this information to access your IP Camera and to configure 'Port Forwarding'.

| IP Camera TCP/IP Settings |  |
|---------------------------|--|
| IP Address                |  |
| Subnet Mask               |  |
| Default Gateway           |  |
| Preferred DNS Server      |  |
| DDNS Server               |  |
| Web Port                  |  |

2. After clicking 'Apply', the system will prompt for a reboot. Please allow the system 50 seconds to reboot and accept the changes. After 50 seconds, close the configuration screen. The view will display 'Trying to Reconnect'. If the ACTIVE light on the IP Camera has gone off and is now back on again flashing, the IP Camera has rebooted. After the system reboots completely, remove the power supply from the unit and close Internet Explorer.
3. Return your PC/Laptop TCP/IP properties to their original settings.
4. Before installing the IP Camera, you must use 'Port Forwarding' on your personal router (Cases A, B).

You will need to forward 1 ports:

- Web Port

All the ports will be forwarded to the IP address you assigned to the IP Camera.

In the example above, you would forward:

- 8888 → 192.168.0.200

**i** For information on how to use 'Port Forwarding', please read Appendix C.

# Network Setup - Starting IP Camera

---

**After forwarding correctly the Web Port, through your router (if applicable), install the IP Camera in a proper location.**

1. Locate the serial number located on the label attached to the bottom of the IP Camera, you will need this for DDNS registration.
2. Connect the IP Camera to your router or cable/DSL modem (per your network scenario) via a Cat5/5e UTP Ethernet network cable.
3. Supply power to the IP Camera.
4. After 1 minute, the IP Camera will operate.
5. After configuring Port Forwarding on your computer (if necessary), access your IP Camera on your local network by opening Internet Explorer and specifying the IP address and Web Port assigned to the IP Camera.

**i** Examples: <http://192.168.0.200:8888> or <http://24.106.88.123>

**i** If you left your Web Port set to 80, do not need to specify the port in the Address Bar to access the IP Camera.

6. Access your IP Camera via the Internet :

---

*If you use Case B, C*

- 1) Open Internet Explorer.
- 2) Type the IP of the IP Camera.

---

*If you use Case A, D*

- 1) Open Internet Explorer.
  - 2) Visit the DDNS website.
  - 3) Register the IP Camera.
  - 4) Give the DDNS server 10 minutes (MAX) to locate your IP Camera's IP information. You may reboot the server to send an immediate request to our DDNS server.
  - 5) After your camera is connected, select your camera.
- 

**i** The difference between B and C is that B needs to set the port forwarding.

**i** Since the type of DDNS differs from the service type, refer to the related service site.

# Appendix - FAQ

---

## 1. My POWER light is not on?

Power is not being supplied to the unit. Please use the power supply shipped with the unit and verify that a power source is active from the attached power outlet used to connect the adapter. You can test this by plugging in any other electrical device and verify its operation. After using the power supply shipped with the product, checking the power source, and reinserting the power connector into the IP Camera, please call our Support Center. The power supply may be defective.

## 2. My ACTIVE light is not flashing?

Verify the power supply to the unit. Power off the unit and back on again, wait 1 minute, if the ACTIVE light still does not begin to flash, you will have to set the unit to its factory default (THIS WILL DELETE ANY CONFIGURATION AND SET THE UNIT TO THE FACTORY DEFAULTS). Power on the unit and insert the end of a paper clip into the small recessed opening on the back of the unit. Use the clip to press the button located within that opening.

## 3. My LINK light is not flashing or solid?

Verify the cable connection. 99% of the time the cable's connection to the unit is causing this problem. Try using a different network cable or crossover cable (for PC connection only). Try reinserting the cable, if this still doesn't solve the problem call our Support Center.

## 4. I can access the video server on my LAN, but not from the Internet.

Verify that your router (if applicable) has port forwarding properly configured. If accessing from our DDNS service, verify correct serial number. Firewall issues may prevent user access.

## 5. How do I open an MS-DOS or Command Prompt?

Start > (All) Programs > Accessories > Command Prompt

## 6. How do I find out my IP address information if my settings were automatically detected?

- 1) Open a Command Prompt
- 2) At the prompt type - "ipconfig / all" (without the quotes)
- 3) Near the end of the information supplied, should be your current IP address, subnet mask, default gateway and DNS servers

## 7. I can't connect!!

In the case of a connection failure.

Modem Reboot > Modem Reboot Finished > Router Reboot > Router Reboot Finished > IP Camera Reboot > IP Camera Reboot Finish > Verify DDNS and IP Camera connection, if applicable.

## 8. How do I "PING" an IP address?

- 1) Open an MS-DOS (or Command) prompt
- 2) At the prompt type - "ping xxx.xxx.xxx.xxx" (without the quotes and replace the "x" s with an IP address)
- 3) Press Enter

## 9. I'm accessing my video server remotely over the Internet and the video stream is choppy, is this normal?

Yes. The frames per second received remotely are determined by your bandwidth capabilities both at your site where the IP Camera is installed and your remote location. The lower of the two sites will determine how fast your video stream is received. It is recommended to have at least a 256Kb/sec upstream connection from the site where the IP Camera is installed. Lower speeds will operate properly, but provide poor remote performance. The Faster the Internet connection at both ends, the faster the video stream.

## 10. How do I enable or check V L C on my browser

---

### Internet Explorer

Open Internet Explorer > Tools on the menu bar > Internet Options > Security Tab > Custom Level > Scroll down and verify that you are prompted or have enabled plug-ins to be downloaded and executed. > click OK > restart browser.

---

### Chrome

Open Chrome > Chrome menu settings > Advanced settings > Individual information - content settings > Run automatically

---

## 11. How do I reset the unit to factory defaults?

Refer to the previous functions page and find the reset button. Power ON the unit and use a paper clip to push the reset button within that opening. You should then see the ACTIVE light turn off and after a few seconds the ACTIVE light will begin to flash, signifying a successful reboot. If the ACTIVE light does not turn off after depressing the reset button, please try holding the button in for a few seconds and releasing. YOU WILL LOSE ALL DATA THAT HAD BEEN ENTERED PREVIOUSLY AND THE IP CAMERA WILL BE SET TO ITS FACTORY RESETS.



# Appendix - FAQ

---

## 1. My POWER light is not on?

Power is not being supplied to the unit. Please use the power supply shipped with the unit and verify that a power source is active from the attached power outlet used to connect the adapter. You can test this by plugging in any other electrical device and verify its operation. After using the power supply shipped with the product, checking the power source, and reinserting the power connector into the IP Camera, please call our Support Center. The power supply may be defective.

## 2. My ACTIVE light is not flashing?

Verify the power supply to the unit. Power off the unit and back on again, wait 1 minute, if the ACTIVE light still does not begin to flash, you will have to set the unit to its factory default (THIS WILL DELETE ANY CONFIGURATION AND SET THE UNIT TO THE FACTORY DEFAULTS). Power on the unit and insert the end of a paper clip into the small recessed opening on the back of the unit. Use the clip to press the button located within that opening.

## 3. My LINK light is not flashing or solid?

Verify the cable connection. 99% of the time the cable's connection to the unit is causing this problem. Try using a different network cable or crossover cable (for PC connection only). Try reinserting the cable, if this still doesn't solve the problem call our Support Center.

## 4. I can access the video server on my LAN, but not from the Internet.

Verify that your router (if applicable) has port forwarding properly configured. If accessing from our DDNS service, verify correct serial number. Firewall issues may prevent user access.

## 5. How do I open an MS-DOS or Command Prompt?

Start > (All) Programs > Accessories > Command Prompt

## 6. How do I find out my IP address information if my settings were automatically detected?

- 1) Open a Command Prompt
- 2) At the prompt type - "ipconfig / all" (without the quotes)
- 3) Near the end of the information supplied, should be your current IP address, subnet mask, default gateway and DNS servers

## 7. I can't connect!!

In the case of a connection failure.  
Modem Reboot > Modem Reboot Finished > Router Reboot > Router Reboot Finished > IP Camera Reboot > IP Camera Reboot Finish > Verify DDNS and IP Camera connection, if applicable.

## 8. How do I "PING" an IP address?

- 1) Open an MS-DOS (or Command) prompt
- 2) At the prompt type - "ping xxx.xxx.xxx.xxx" (without the quotes and replace the "x"s with an IP address)
- 3) Press Enter

## 9. I'm accessing my video server remotely over the Internet and the video stream is choppy, is this normal?

Yes. The frames per second received remotely are determined by your bandwidth capabilities both at your site where the IP Camera is installed and your remote location. The lower of the two sites will determine how fast your video stream is received. It is recommended to have at least a 256Kb/sec upstream connection from the site where the IP Camera is installed. Lower speeds will operate properly, but provide poor remote performance. The Faster the Internet connection at both ends, the faster the video stream.

## 10. How do I enable or check VLC on my browser

---

### *Internet Explorer*

Open Internet Explorer > Tools on the menu bar > Internet Options > Security Tab > Custom Level > Scroll down and verify that you are prompted or have enabled plug-ins to be downloaded and executed. > click OK > restart browser.

---

### *Chrome*

Open Chrome > Chrome menu settings > Advanced settings > Individual information - content settings > Run automatically

---

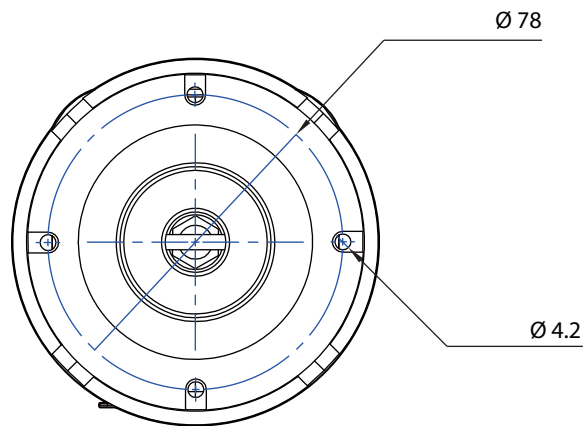
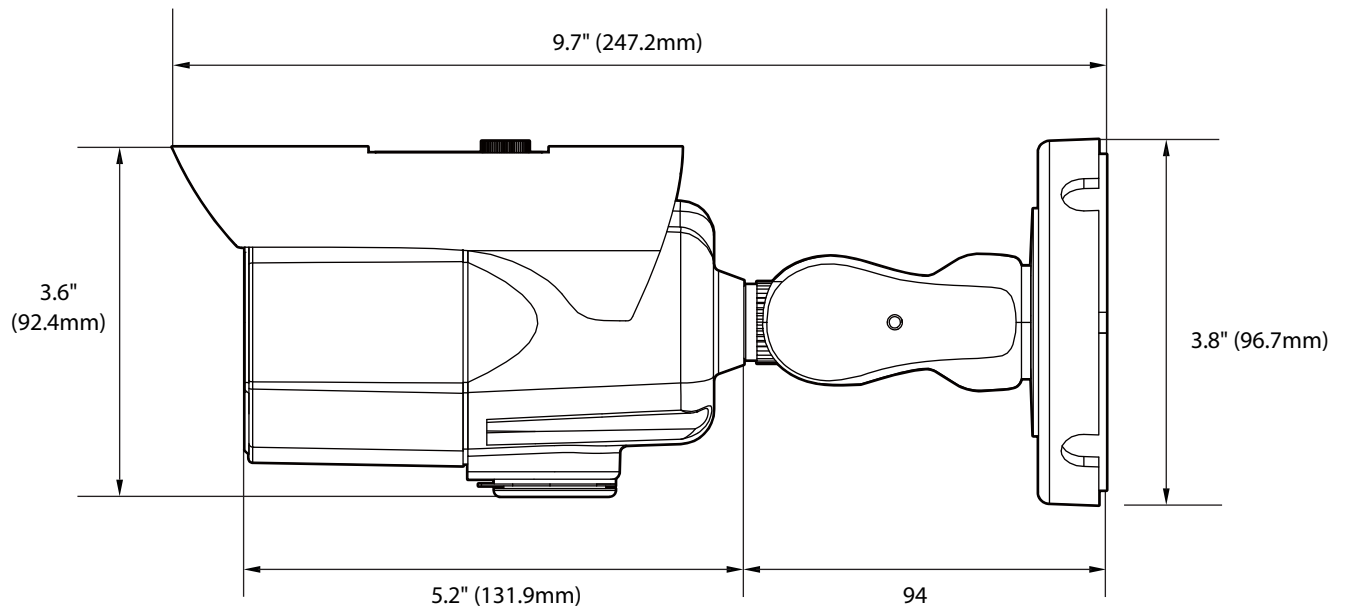
## 11. How do I reset the unit to factory defaults?

Refer to the part name page and find the reset button. Power ON the unit and use a paper clip to push the reset button within that opening. You should then see the ACTIVE light turn off and after a few seconds the ACTIVE light will begin to flash, signifying a successful reboot. If the ACTIVE light does not turn off after depressing the reset button, please try holding the button in for a few seconds and releasing. YOU WILL LOSE ALL DATA THAT HAD BEEN ENTERED PREVIOUSLY AND THE IP CAMERA WILL BE SET TO ITS FACTORY RESETS.

# Specifications - Dimensions

---

Unit: Inch (mm)



# Warranty Information

---

Go to <https://digital-watchdog.com/page/rma-landing-page/> to learn more about Digital Watchdog's warranty and RMA.

To obtain warranty or out of warranty service, please contact a technical support representative at: 1+ (866) 446-3595, Monday through Friday from 9:00 AM to 8:00 PM EST.

A purchase receipt or other proof of the date of the original purchase is required before warranty service is rendered. This warranty only covers failures due to defects in materials and workmanship which arise during normal use. This warranty does not cover damages that occurs in shipment or failures which are caused by products not supplied by the Warrantor or failures which result from accident, misuse, abuse, neglect, mishandling, misapplication, alteration, modification, faulty installation, setup adjustments, improper antenna, inadequate signal pickup, maladjustments of consumer controls, improper operation, power line surge, improper voltage supply, lightning damage, rental use of the product or service by anyone other than an authorized repair facility or damage that is attributable to acts of God.

# Limits & Exclusions

---

There are no express warranties except as listed above. The Warrantor will not be liable for incidental or consequential damages (including, without limitation, damage to recording media) resulting from the use of these products, or arising out of any breach of the warranty. All express and implied warranties, including the warranties of merchantability and fitness for particular purpose, are limited to the applicable warranty period set forth above.

Some states do not allow the exclusion or limitation of incidental or consequential damages or limitations on how long an implied warranty lasts, so the above exclusions or limitations may not apply to you. This warranty gives you specific legal rights, and you may also have other rights from vary from state to state.

If the problem is not handled to your satisfaction, then write to the following address:

Digital Watchdog, Inc.  
ATTN: RMA Department  
16220 Bloomfield Ave  
Cerritos, CA 90703

Service calls which do not involve defective materials or workmanship as determined by the Warrantor, in its sole discretion, are not covered. Cost of such service calls are the responsibility of the purchaser.



*Complete Surveillance Solutions*

DW® east coast office and warehouse: 5436 W Crenshaw St, Tampa, FL 33634

DW® west coast office and warehouse: 16220 Bloomfield Ave., Cerritos, California, USA 90703

PH: 866-446-3595 | FAX: 813-888-9262

[www.Digital-Watchdog.com](http://www.Digital-Watchdog.com)

[technicalsupport@dwcc.tv](mailto:technicalsupport@dwcc.tv)

Technical Support PH:

USA & Canada 1+ (866) 446-3595

International 1+ (813) 888-9555

French Canadian 1+ (904) 999-1309

Technical Support hours: Monday-Friday 9:00am to 8:00pm Eastern Standard Time